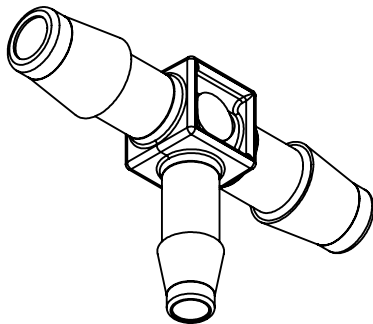
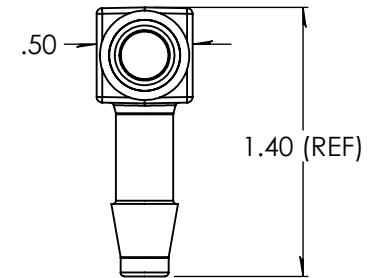
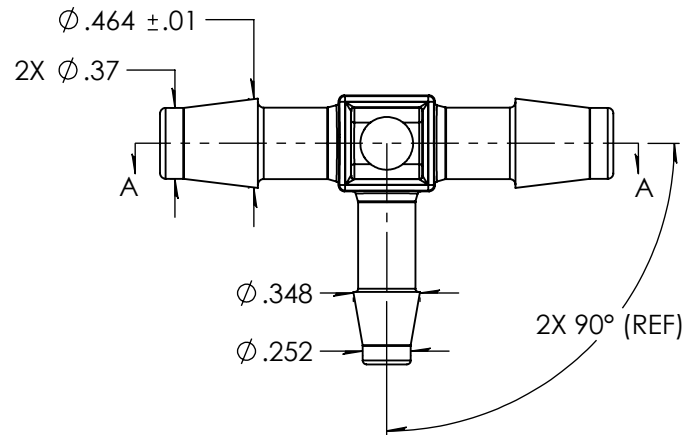
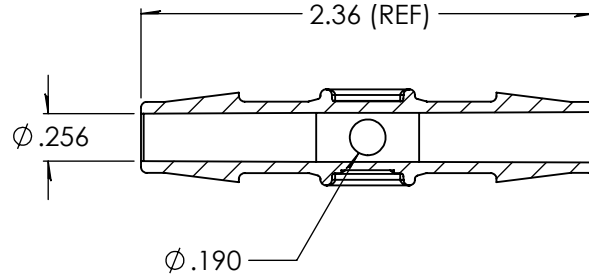


Revision History

Rev.	Description	Date	Approved
A	Print Release Date	02/12/2026	JWM

SECTION A-A



Unless otherwise specified tolerances are in inches

SAE Tolerances

Fractions:	+/- .015
2 Place Decimal:	+/- .010
3 Place Decimal:	+/- .005
Angle:	+/- 1/2*

Material:

White Nylon  
Zytel 101FNC010

**ARKPLAS**

Part #: CEC52-NY2

Description:  
3/8" x 3/8" x 1/4" Barbed Reducing Tee

Size	Job#: CEC52	Sheet 1 of 1	Rev
<b>A</b>	Scale: 1:1	Drawn By: JWM	<b>A</b>