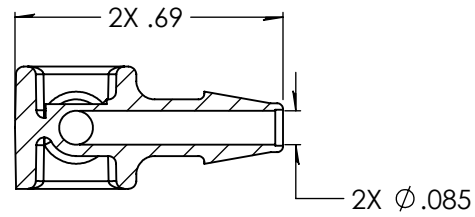
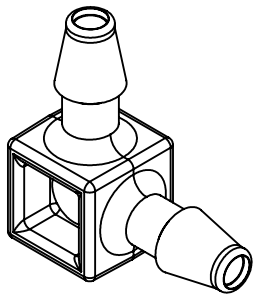
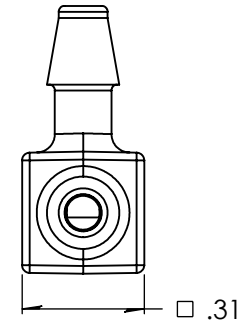
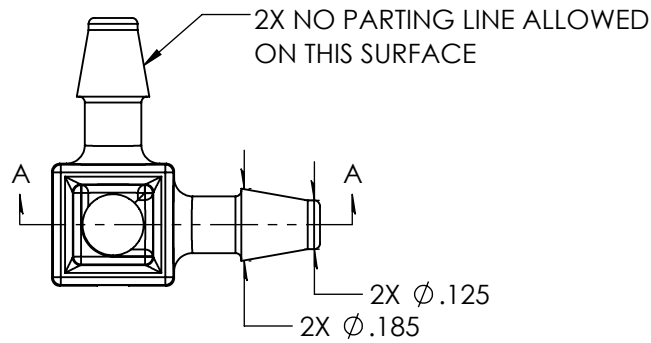


Revision History

Rev.	Description	Date	Approved
A	Redrawn w/Change	09/30/2009	KAH
B	ECO #A0144	09/30/2009	KAH
C	ECO #A1155	11/26/2018	KAH
D	ID Update	04/01/2025	JWM



SECTION A-A
SCALE 2 : 1



Unless otherwise specified tolerances are in inches

SAE Tolerances

Fractions:	+/- .015
2 Place Decimal:	+/- .010
3 Place Decimal:	+/- .005
Angle:	+/- 1/2*

Material:
White Nylon
101FNC010

ARKPLAS

Part #: MCX14-NY2

Description:
1/8" x 1/8" Barbed Elbow Connector

A	Job#: MCX14	Sheet 1 of 1	D
	Scale: 2:1	Drawn By: JWM	