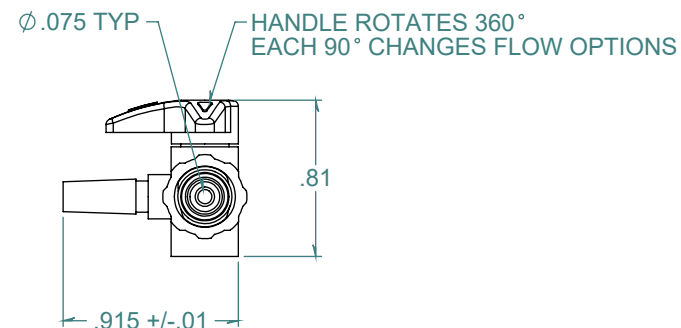
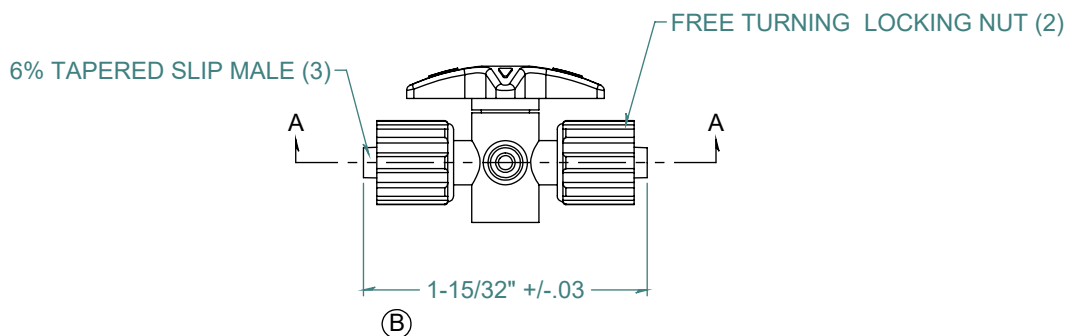
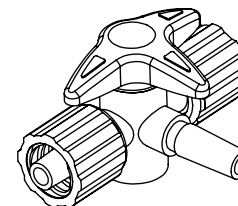
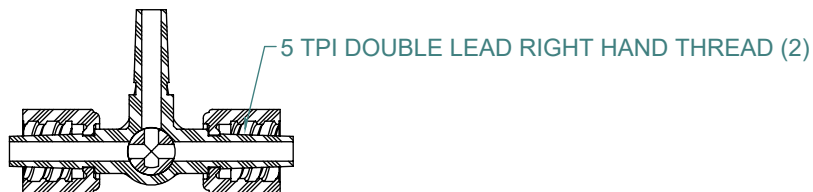


SECTION A-A  
SCALE 1 : 1

REVISION HISTORY			
REV.	DESCRIPTION	DATE	APPROVED
A	PRINT RELEASE DATE	12/05/2013	KAH
B	ECOR #A0729	01/27/2016	KAH



DIMENSIONS ARE IN INCHES UNLESS SPECIFIED. TOLERANCES ARE:  
 FRACTIONS +/- .015  
 2 PLACE DECIMAL +/- .010  
 3 PLACE DECIMAL +/- .005  
 ANGLE NOTED

**ARK-PLAS PRODUCTS, INC.**

RCX18-GP0  
 LOCKING MALE x SLIP MALE x LOCKING MALE  
 4-WAY SMALL LUER STOPCOCK

MATERIAL: HD POLYETHYLENE - HANDLE  
 RAD. STABILIZED POLYCARBONATE - BODY

*LUERS DESIGNED TO ISO STANDARDS*

FINISH:  
 RMS 109.2 / POLISHED LUERS

SIZE	JOB # AP353	DRAWN BY: KAH	REV. LEVEL
<b>A</b>	SCALE: 1:1 DO NOT SCALE DRAWING	SHEET 1 OF 1	<b>B</b>

FREE SAMPLES ARE AVAILABLE FOR TESTING. CONTACT CUSTOMER SERVICE

**PROPRIETARY AND CONFIDENTIAL**

THE INFORMATION CONTAINED IN THIS DRAWING IS THE SOLE PROPERTY OF ARK-PLAS PRODUCTS, INC. ANY REPRODUCTION IN PART OR AS A WHOLE WITHOUT THE WRITTEN PERMISSION OF ARK-PLAS PRODUCTS, INC. IS PROHIBITED.