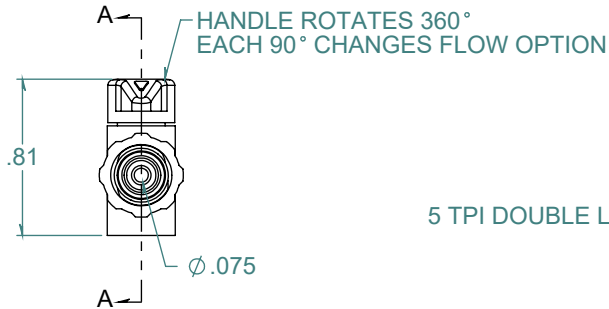
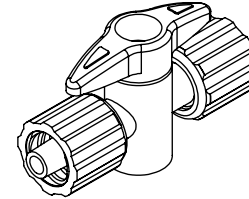
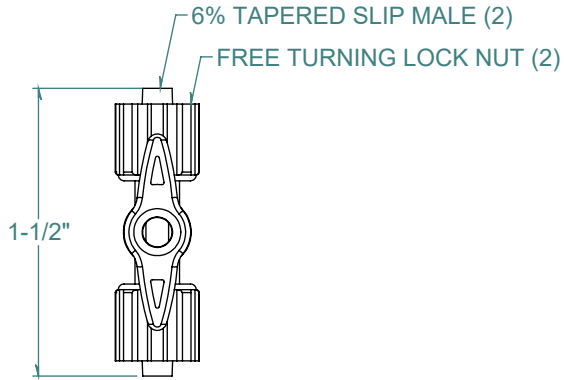
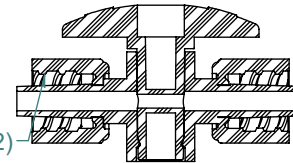


REVISION HISTORY			
REV.	DESCRIPTION	DATE	APPROVED
A	PRINT RELEASE DATE	12/03/2013	KAH



5 TPI DOUBLE LEAD RIGHT HAND THREAD (2)



SECTION A-A

FREE SAMPLES ARE AVAILABLE FOR TESTING. CONTACT CUSTOMER SERVICE

PROPRIETARY AND CONFIDENTIAL

THE INFORMATION CONTAINED IN THIS DRAWING IS THE SOLE PROPERTY OF ARK-PLAS PRODUCTS, INC. ANY REPRODUCTION IN PART OR AS A WHOLE WITHOUT THE WRITTEN PERMISSION OF ARK-PLAS PRODUCTS, INC. IS PROHIBITED.

DIMENSIONS ARE IN INCHES UNLESS SPECIFIED. TOLERANCES ARE:	
FRACTIONS	+/- .015
2 PLACE DECIMAL	+/- .010
3 PLACE DECIMAL	+/- .005
ANGLE	NOTED

MATERIAL: HD POLYETHYLENE - HANDLE
NATURAL KYNAR - BODY

FINISH: 27 CHARMILLES
POLISHED LUERS

ARK-PLAS PRODUCTS, INC.

RAX36-DF0
LOCKING MALE x LOCKING MALE
1-WAY SMALL LUER STOPCOCK

LUERS DESIGNED TO ISO STANDARDS

SIZE	JOB # AP266	DRAWN BY: KAH	REV. LEVEL
A	SCALE: 1:1 DO NOT SCALE DRAWING	SHEET 1 OF 1	A