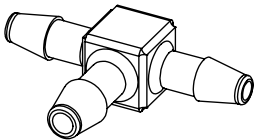
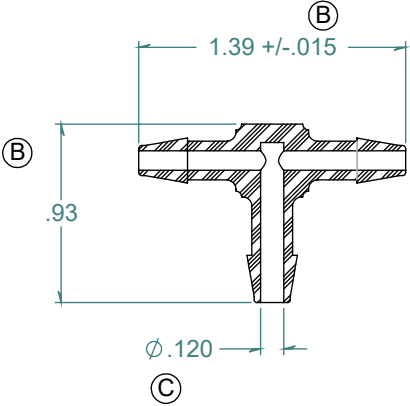
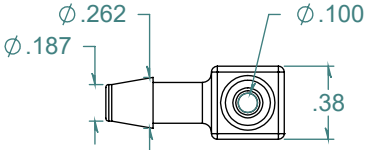
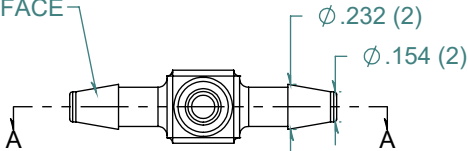


REVISION HISTORY			
REV.	DESCRIPTION	DATE	APPROVED
A	REDRAWN w/ CHANGE	04/07/2010	KAH
B	ECOR #A0596	04/07/2010	KAH
C	ECOR #A0954	05/16/2016	KAH

SECTION A-A
SCALE 1 : 1



3X NO PARTING LINE ALLOWED
ON THIS SURFACE



DIMENSIONS ARE IN INCHES UNLESS SPECIFIED. TOLERANCES ARE:
 FRACTIONS +/- .015
 2 PLACE DECIMAL +/- .010
 3 PLACE DECIMAL +/- .005
 ANGLES NOTED

ARK-PLAS PRODUCTS, INC.

MFD12-DF0
 5/32 x 5/32 x 3/16 PREMIUM GRADE
 BARBED ENLARGING TEE CONNECTOR

FREE SAMPLES ARE AVAILABLE FOR TESTING. CONTACT CUSTOMER SERVICE

MATERIAL:
 KYNAR, NATURAL

FINISH:
 RMS 109.2 / POLISHED BARBS

SIZE	JOB # AP287A	DRAWN BY: <i>KAH</i>	REV. LEVEL
A	SCALE: 1:1 DO NOT SCALE DRAWING	SHEET 1 OF 1	C

PROPRIETARY AND CONFIDENTIAL
 THE INFORMATION CONTAINED IN THIS DRAWING IS THE SOLE PROPERTY OF ARK-PLAS PRODUCTS, INC. ANY REPRODUCTION IN PART OR AS A WHOLE WITHOUT THE WRITTEN PERMISSION OF ARK-PLAS PRODUCTS, INC. IS PROHIBITED.