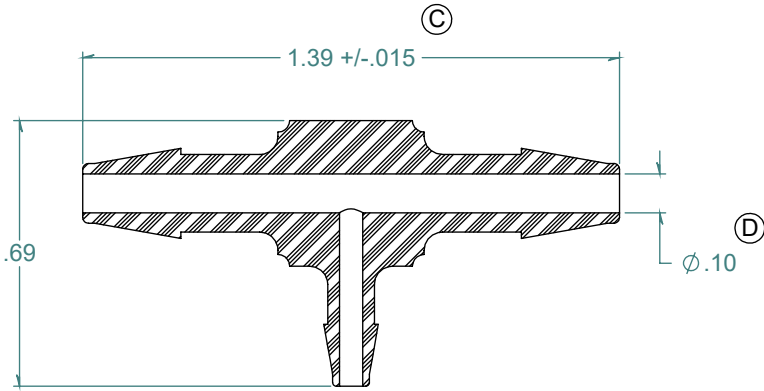
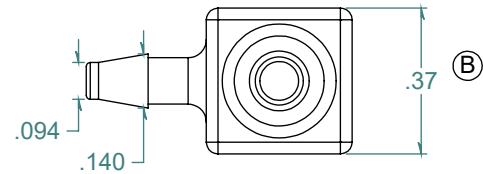
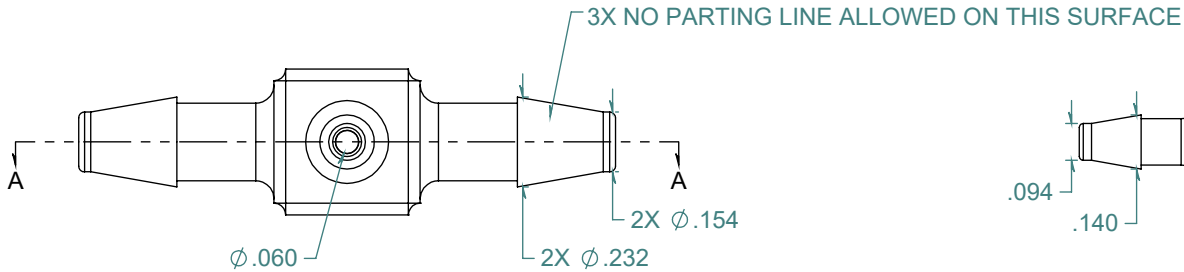
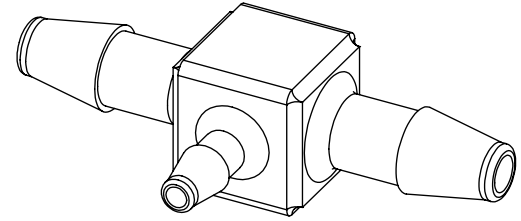


| REVISION HISTORY | | | |
|------------------|-------------------|------------|----------|
| REV. | DESCRIPTION | DATE | APPROVED |
| A | REDRAWN w/ CHANGE | 09/28/2009 | KAH |
| B | ECOR #A0144 | 09/28/2009 | KAH |
| C | ECOR #A0455 | 09/28/2009 | KAH |
| D | ECOR #A0951 | 05/10/2016 | KAH |



SECTION A-A



DIMENSIONS ARE IN INCHES UNLESS SPECIFIED. TOLERANCES ARE:
 FRACTIONS +/- .015
 2 PLACE DECIMAL +/- .010
 3 PLACE DECIMAL +/- .005
 ANGLES NOTED

ARK-PLAS PRODUCTS, INC.

MFC18-DF0
 5/32 x 5/32 x 3/32 PREMIUM GRADE
 BARBED REDUCING TEE CONNECTOR

FREE SAMPLES ARE AVAILABLE FOR TESTING. CONTACT CUSTOMER SERVICE

MATERIAL:
 KYNAR, NATURAL

FINISH:
 RMS 109.2 / POLISHED BARBS

| | | | |
|----------|------------------------------------|----------------------|------------|
| SIZE | JOB # AP285A | DRAWN BY: <i>KAH</i> | REV. LEVEL |
| A | SCALE: 2:1 DO NOT SCALE DRAWING | SHEET 1 OF 1 | D |

PROPRIETARY AND CONFIDENTIAL
 THE INFORMATION CONTAINED IN THIS DRAWING IS THE SOLE PROPERTY OF ARK-PLAS PRODUCTS, INC. ANY REPRODUCTION IN PART OR AS A WHOLE WITHOUT THE WRITTEN PERMISSION OF ARK-PLAS PRODUCTS, INC. IS PROHIBITED.