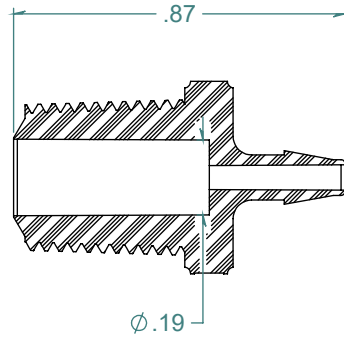
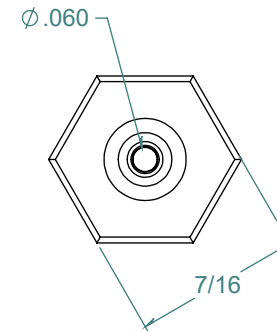
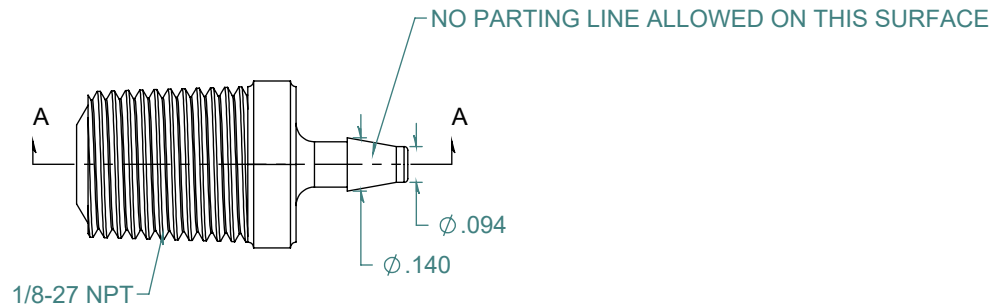
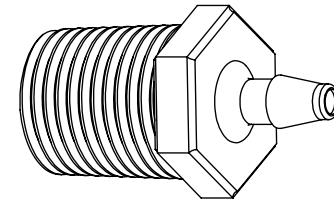


SECTION A-A



REVISION HISTORY			
REV.	DESCRIPTION	DATE	APPROVED
A	REDRAWN w/o CHANGE	01/07/2010	KAH
B	ECOR #A1083	06/27/2018	KAH



DIMENSIONS ARE IN INCHES UNLESS SPECIFIED. TOLERANCES ARE:
 FRACTIONS +/- .015
 2 PLACE DECIMAL +/- .010
 3 PLACE DECIMAL +/- .005
 ANGLE +/- 1/2°

ARK-PLAS PRODUCTS, INC.

MEX89-NY2
 3/32 x 1/8-27 NPT PREMIUM GRADE
 BARBED THREADED CONNECTOR

FREE SAMPLES ARE AVAILABLE FOR TESTING. CONTACT CUSTOMER SERVICE

MATERIAL:
 WHITE NYLON

FINISH:
 RMS 109.2, POLISHED BARB

SIZE A	JOB # AP746	DRAWN BY: <i>KAH</i>	REV. LEVEL B
SCALE: 2:1 DO NOT SCALE DRAWING		SHEET 1 OF 1	

PROPRIETARY AND CONFIDENTIAL

THE INFORMATION CONTAINED IN THIS DRAWING IS THE SOLE PROPERTY OF ARK-PLAS PRODUCTS, INC. ANY REPRODUCTION IN PART OR AS A WHOLE WITHOUT THE WRITTEN PERMISSION OF ARK-PLAS PRODUCTS, INC. IS PROHIBITED.