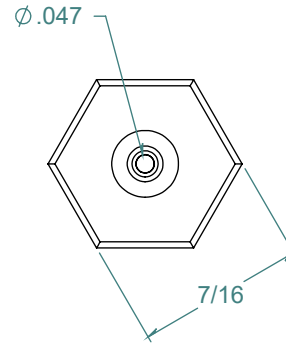
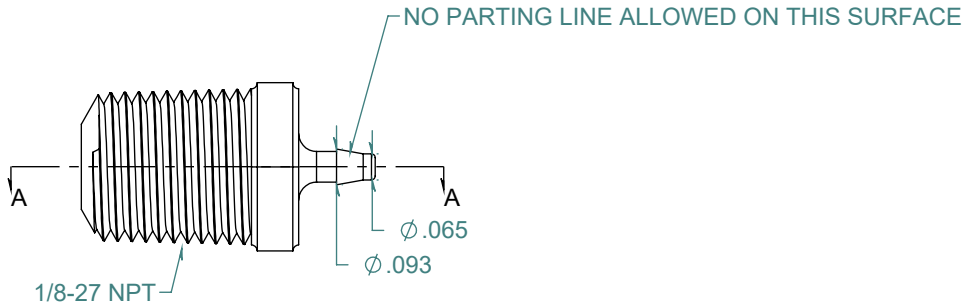
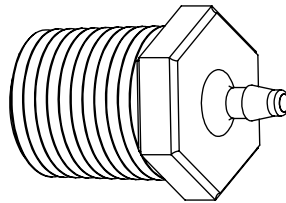
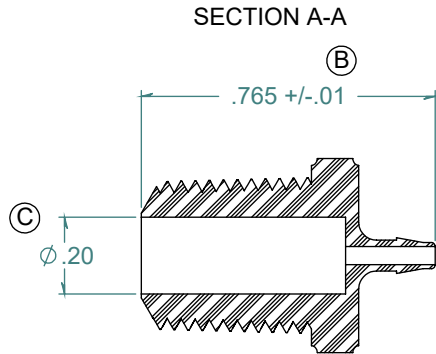


| REVISION HISTORY | | | |
|------------------|-------------------|------------|----------|
| REV. | DESCRIPTION | DATE | APPROVED |
| A | REDRAWN w/ CHANGE | 01/07/2010 | KAH |
| B | ECOR #A0528 | 01/07/2010 | KAH |
| C | ECOR #A0953 | 07/02/2018 | KAH |



FREE SAMPLES ARE AVAILABLE FOR TESTING. CONTACT CUSTOMER SERVICE

DIMENSIONS ARE IN INCHES UNLESS SPECIFIED. TOLERANCES ARE:
 FRACTIONS +/- .015
 2 PLACE DECIMAL +/- .010
 3 PLACE DECIMAL +/- .005
 ANGLES NOTED

ARK-PLAS PRODUCTS, INC.

MEX45-DF0
 1/16 x 1/8-27 NPT PREMIUM GRADE
 BARBED THREADED CONNECTOR

MATERIAL:
 KYNAR, NATURAL

FINISH:
 RMS 109.2 / POLISHED BARBS

| | | | |
|----------|------------------------------------|----------------------|------------|
| SIZE | JOB # AP708 | DRAWN BY: <i>KAH</i> | REV. LEVEL |
| A | SCALE: 2:1 DO NOT SCALE DRAWING | SHEET 1 OF 1 | C |

PROPRIETARY AND CONFIDENTIAL

THE INFORMATION CONTAINED IN THIS DRAWING IS THE SOLE PROPERTY OF ARK-PLAS PRODUCTS, INC. ANY REPRODUCTION IN PART OR AS A WHOLE WITHOUT THE WRITTEN PERMISSION OF ARK-PLAS PRODUCTS, INC. IS PROHIBITED.