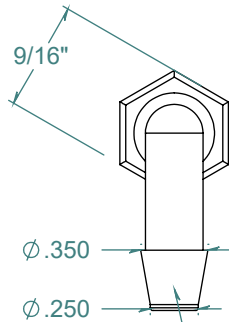
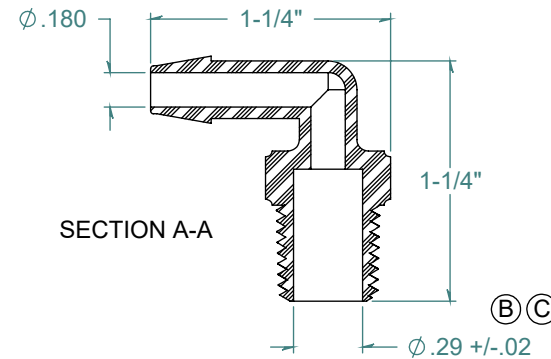
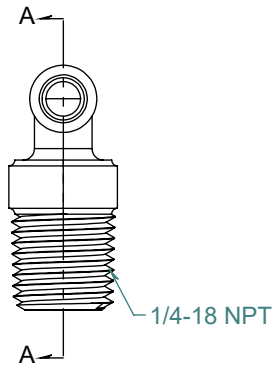
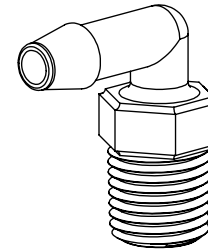


| REVISION HISTORY | | | |
|------------------|--------------------|------------|----------|
| REV. | DESCRIPTION | DATE | APPROVED |
| A | REDRAWN w/o CHANGE | 04/07/2010 | KAH |
| B | ECOR #A0953 | 05/13/2016 | KAH |
| C | ECOR #A0963 | 06/08/2016 | KAH |



NO PARTING LINE ALLOWED ON THIS SURFACE



DIMENSIONS ARE IN INCHES UNLESS SPECIFIED. TOLERANCES ARE:
 FRACTIONS +/- .015
 2 PLACE DECIMAL +/- .010
 3 PLACE DECIMAL +/- .005
 ANGLES NOTED

ARK-PLAS PRODUCTS, INC.

MEX21-YC0
 1/4" x 1/4-18 NPT PREMIUM GRADE
 BARBED TUBE TO 90° PORT ELBOW

FREE SAMPLES ARE AVAILABLE FOR TESTING. CONTACT CUSTOMER SERVICE

MATERIAL:
 CLEAR POLYCARBONATE

FINISH:
 RMS 109.2 / POLISHED BARB

| | | | |
|------------------------------------|-------------|----------------------|------------------------|
| SIZE A | JOB # MP230 | DRAWN BY: <i>KAH</i> | REV. LEVEL C |
| SCALE: 1:1 DO NOT SCALE DRAWING | | SHEET 1 OF 1 | |

PROPRIETARY AND CONFIDENTIAL

THE INFORMATION CONTAINED IN THIS DRAWING IS THE SOLE PROPERTY OF ARK-PLAS PRODUCTS, INC. ANY REPRODUCTION IN PART OR AS A WHOLE WITHOUT THE WRITTEN PERMISSION OF ARK-PLAS PRODUCTS, INC. IS PROHIBITED.