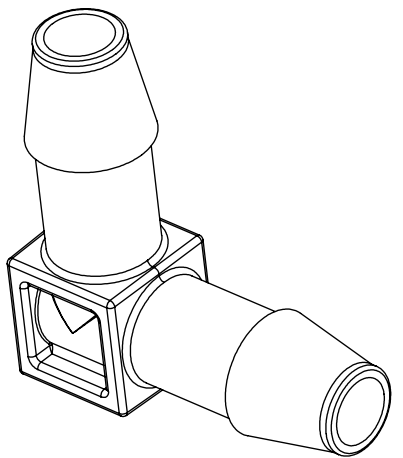
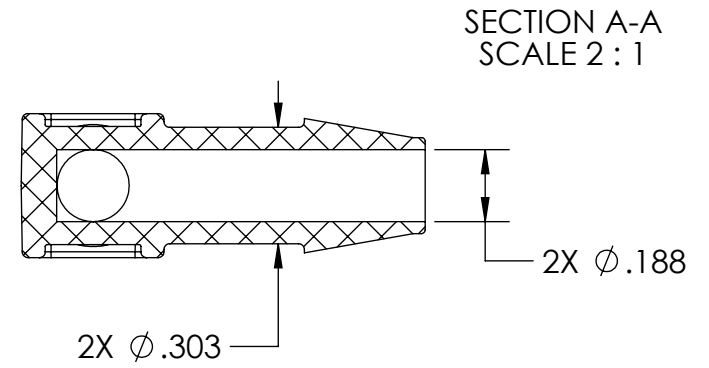
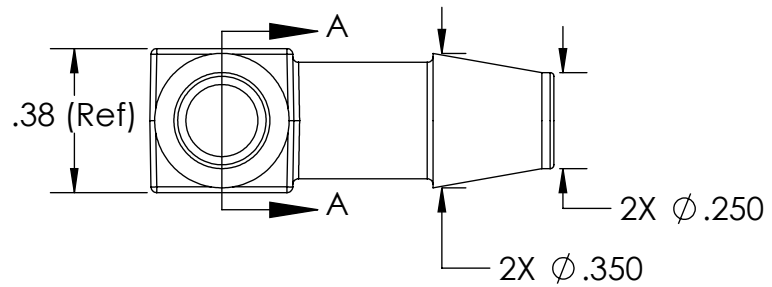
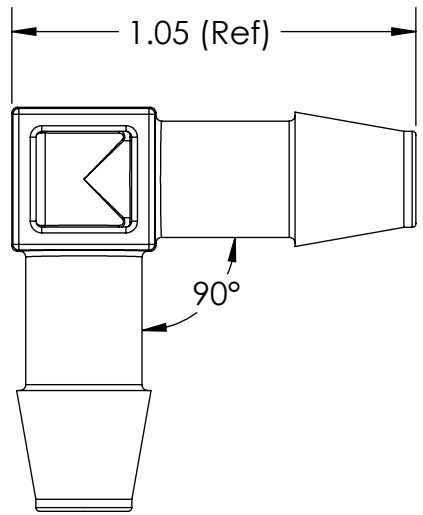


Revision History

Rev.	Description	Date	Approved
A	Print Release Date	10/01/2009	KAH
B	ECOR #A0144	10/01/2009	KAH
C	ECOR #A0467	10/01/2009	KAH
D	ECOR #A1023	05/17/2017	KAH
E	ECO	12/21/2022	JWM



Unless otherwise specified tolerances are in inches

SAE Tolerances

Fractions:	+/- .015
2 Place Decimal:	+/- .010
3 Place Decimal:	+/- .005
Angle:	+/- 1/2*

Material:

Natural Polypropylene
P4C5Z-027



Part #: MCX87-PP0

Description:
1/4 x 1/4 Inch Barbed Elbow Connector

Size	Job# MCX87	Sheet 1 of 1	Rev
A	Scale: 1:1	Drawn By: JWM	E