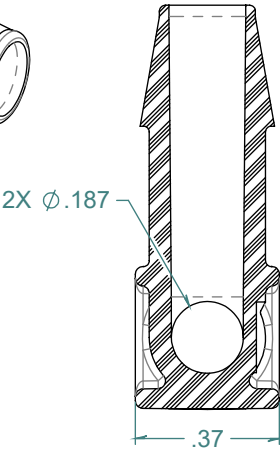
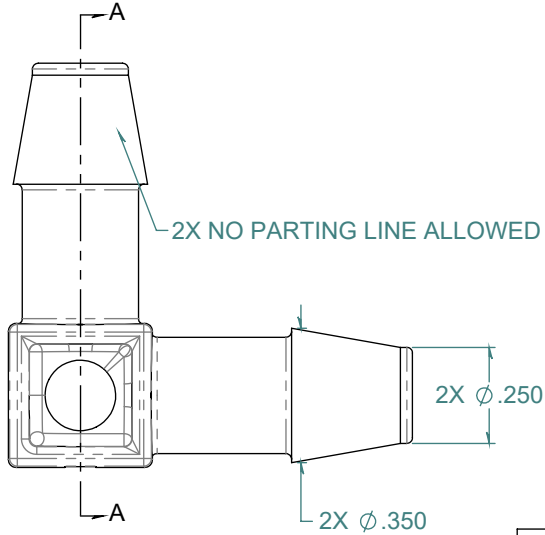
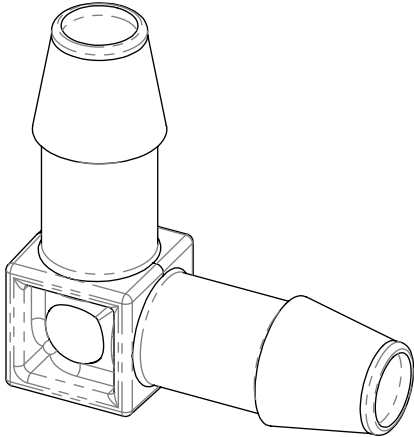
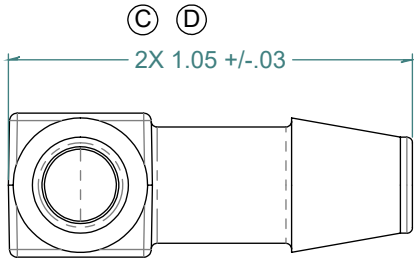


REVISION HISTORY			
REV.	DESCRIPTION	DATE	APPROVED
A	PRINT RELEASE DATE	10/01/2009	KAH
B	ECOR #A0144	10/01/2009	KAH
C	ECOR #A0467	10/01/2009	KAH
D	ECOR #A1023	05/17/2017	KAH
E	ECO #A1202	12/02/2019	KAH



SECTION A-A

DIMENSIONS ARE IN INCHES UNLESS SPECIFIED. TOLERANCES ARE:
 FRACTIONS +/- .015
 2 PLACE DECIMAL +/- .010
 3 PLACE DECIMAL +/- .005
 ANGLE +/- 1/2°

ARK-PLAS PRODUCTS, INC.

MCX87-DF0
 1/4 x 1/4 PREMIUM GRADE
 BARBED ELBOW CONNECTOR

MATERIAL:
 KYNAR, NATURAL

FINISH:
 RMS 109.2 / POLISHED BARBS

SIZE A	JOB # AP863	DRAWN BY: <i>KAH</i>	REV. LEVEL E
SCALE: 2:1 DO NOT SCALE DRAWING		SHEET 1 OF 1	

FREE SAMPLES ARE AVAILABLE FOR TESTING. CONTACT CUSTOMER SERVICE

PROPRIETARY AND CONFIDENTIAL

THE INFORMATION CONTAINED IN THIS DRAWING IS THE SOLE PROPERTY OF ARK-PLAS PRODUCTS, INC. ANY REPRODUCTION IN PART OR AS A WHOLE WITHOUT THE WRITTEN PERMISSION OF ARK-PLAS PRODUCTS, INC. IS PROHIBITED.