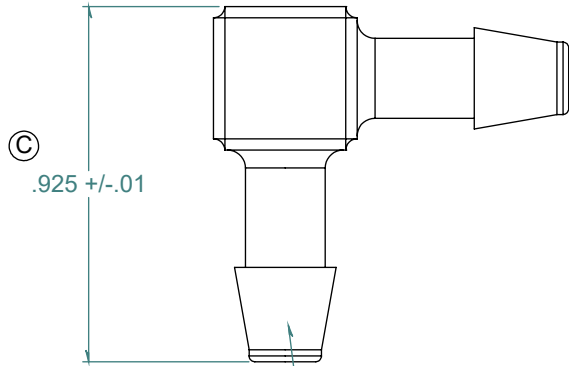
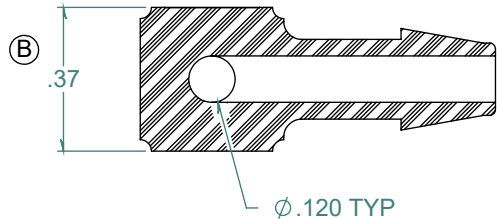
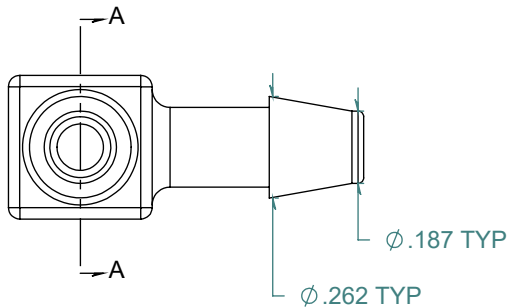
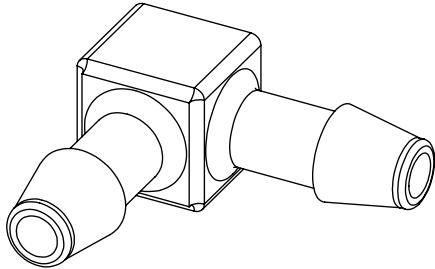


REVISION HISTORY			
REV.	DESCRIPTION	DATE	APPROVED
A	REDRAWN w/ CHANGE	09/30/2009	KAH
B	ECOR #A0144	09/30/2009	KAH
C	ECOR #A0465	09/30/2009	KAH



© .925 +/- .01

2X NO PARTING LINE ALLOWED ON THIS SURFACE



SECTION A-A

DIMENSIONS ARE IN INCHES UNLESS SPECIFIED. TOLERANCES ARE:  
 FRACTIONS +/- .015  
 2 PLACE DECIMAL +/- .010  
 3 PLACE DECIMAL +/- .005  
 ANGLES NOTED

**ARK-PLAS PRODUCTS, INC.**

MCX80-PP0  
 3/16" x 3/16" PREMIUM GRADE  
 BARBED ELBOW

MATERIAL:  
 NATURAL POLYPROPYLENE

FINISH:  
 RMS 109.2 / POLISHED BARBS

SIZE	JOB # AP381A	DRAWN BY: KAH	REV. LEVEL
<b>A</b>	SCALE: 2:1 DO NOT SCALE DRAWING	SHEET 1 OF 1	<b>C</b>

FREE SAMPLES ARE AVAILABLE FOR TESTING. CONTACT CUSTOMER SERVICE

**PROPRIETARY AND CONFIDENTIAL**

THE INFORMATION CONTAINED IN THIS DRAWING IS THE SOLE PROPERTY OF ARK-PLAS PRODUCTS, INC. ANY REPRODUCTION IN PART OR AS A WHOLE WITHOUT THE WRITTEN PERMISSION OF ARK-PLAS PRODUCTS, INC. IS PROHIBITED.