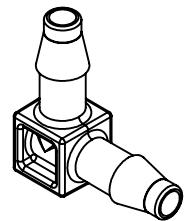
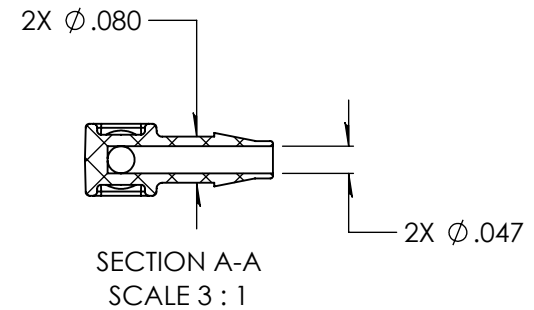
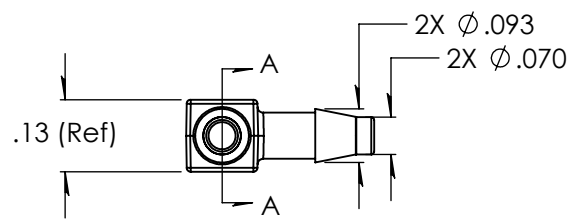
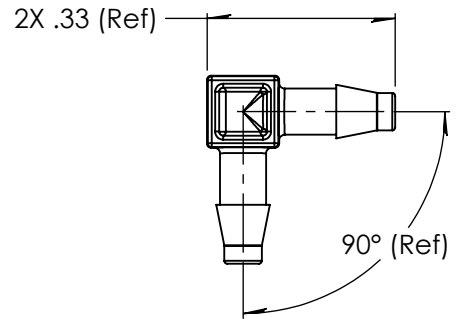


### Revision History

Rev.	Description	Date	Approved
A	Redrawn w/change	09/29/2009	KAH
B	ECOR #A0144	09/30/2009	KAH
C	ECOR #A0463	09/30/2009	KAH
D	ECO	02/07/2023	JWM



Unless otherwise specified tolerances are in inches

#### SAE Tolerances

Fractions:	+/- .015
2 Place Decimal:	+/- .010
3 Place Decimal:	+/- .005
Angle:	+/- 1/2*

**Material:**  
Natural Kynar  
720



Part #: MCX70-DF0

Description:  
1/16" x 1/16" Barbed Elbow Connector

Size	Job#: MCX70	Sheet 1 of 1	Rev
<b>A</b>	Scale: 3:1	Drawn By: JWM	<b>D</b>