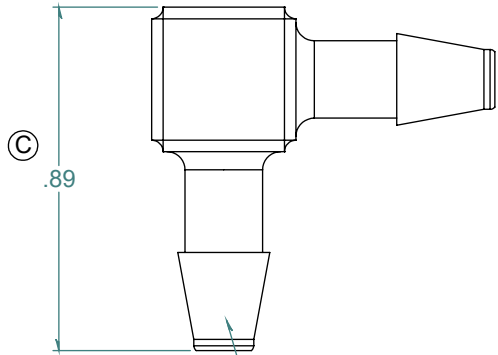
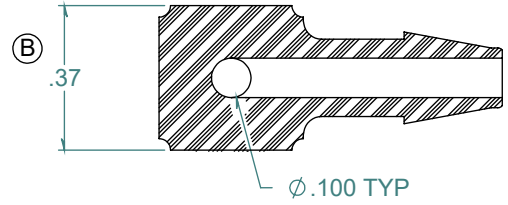
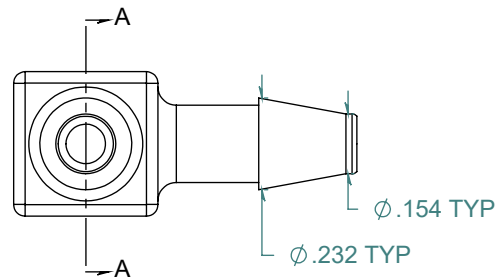
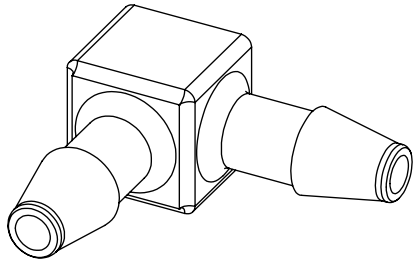


REVISION HISTORY			
REV.	DESCRIPTION	DATE	APPROVED
A	REDRAWN w/ CHANGE	09/30/2009	KAH
B	ECOR #A0144	09/30/2009	KAH
C	ECOR #A0464	09/30/2009	KAH



2X NO PARTING LINE ALLOWED ON THIS SURFACE



SECTION A-A

DIMENSIONS ARE IN INCHES UNLESS SPECIFIED. TOLERANCES ARE:
 FRACTIONS +/- .015
 2 PLACE DECIMAL +/- .010
 3 PLACE DECIMAL +/- .005
 ANGLES NOTED

ARK-PLAS PRODUCTS, INC.

MCX19-YC0
 5/32" x 5/32" PREMIUM GRADE
 BARBED ELBOW

FREE SAMPLES ARE AVAILABLE FOR TESTING. CONTACT CUSTOMER SERVICE

MATERIAL:
 CLEAR POLYCARBONATE

FINISH:
 RMS 109.2 / POLISHED BARBS

SIZE	JOB # AP339A	DRAWN BY: KAH	REV. LEVEL
A	SCALE: 2:1 DO NOT SCALE DRAWING	SHEET 1 OF 1	C

PROPRIETARY AND CONFIDENTIAL
 THE INFORMATION CONTAINED IN THIS DRAWING IS THE SOLE PROPERTY OF ARK-PLAS PRODUCTS, INC. ANY REPRODUCTION IN PART OR AS A WHOLE WITHOUT THE WRITTEN PERMISSION OF ARK-PLAS PRODUCTS, INC. IS PROHIBITED.