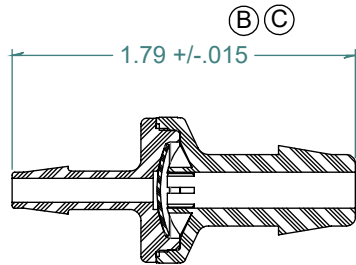
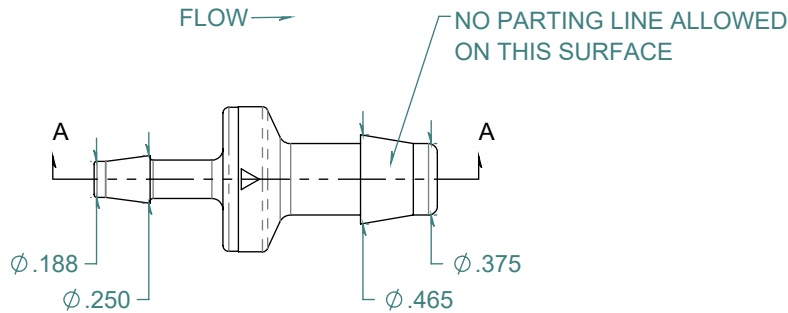
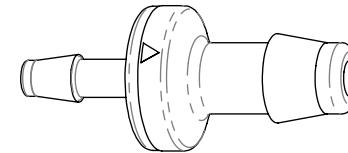


SECTION A-A
SCALE 1 : 1



REVISION HISTORY			
REV.	DESCRIPTION	DATE	APPROVED
A	PRINT RELEASE DATE	02/11/2010	KAH
B	ECOR #A0560	02/11/2010	KAH
C	ECO #A1225	05/20/2020	KAH



DIMENSIONS ARE IN INCHES UNLESS SPECIFIED. TOLERANCES ARE:
 FRACTIONS +/- .015
 2 PLACE DECIMAL +/- .010
 3 PLACE DECIMAL +/- .005
 ANGLE +/- 1/2°

ARK-PLAS PRODUCTS, INC.

HDX40-PP0
 3/16 x 3/8 ENLARGING CHECK VALVE
 VITON DIAPHRAGM

FREE SAMPLES ARE AVAILABLE FOR TESTING. CONTACT CUSTOMER SERVICE

MATERIAL:
 POLYPROPYLENE, NATURAL

FINISH:
 RMS 109.2 / POLISHED BARBS

SIZE	JOB # AP905 MP147A	DRAWN BY: <i>KAH</i>	REV. LEVEL
A	SCALE: 1:1 DO NOT SCALE DRAWING	SHEET 1 OF 1	C

PROPRIETARY AND CONFIDENTIAL

THE INFORMATION CONTAINED IN THIS DRAWING IS THE SOLE PROPERTY OF ARK-PLAS PRODUCTS, INC. ANY REPRODUCTION IN PART OR AS A WHOLE WITHOUT THE WRITTEN PERMISSION OF ARK-PLAS PRODUCTS, INC. IS PROHIBITED.