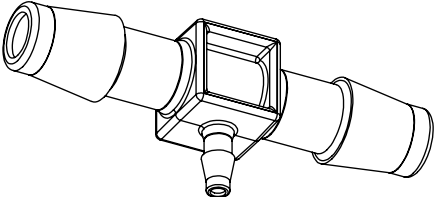
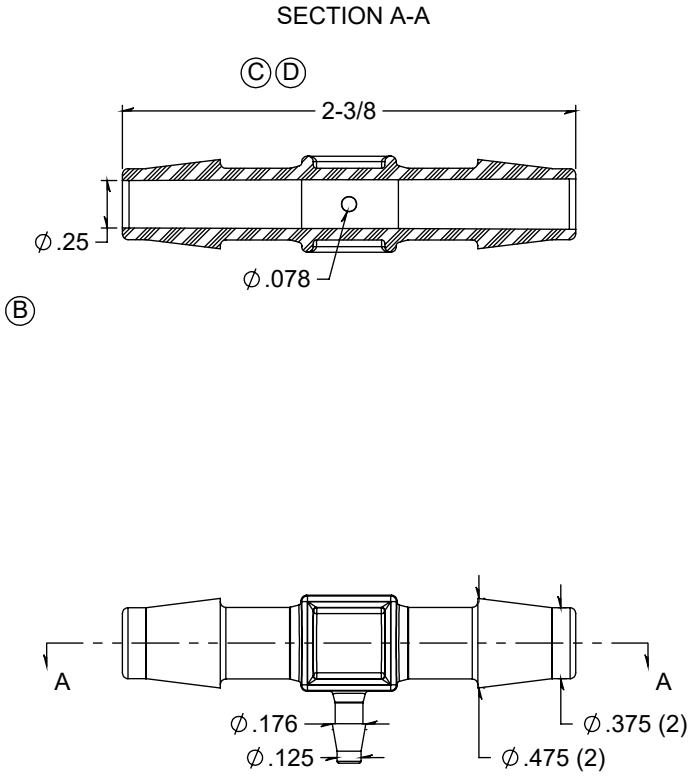


REVISION HISTORY			
REV.	DESCRIPTION	DATE	APPROVED
A	REDRAWN w/o CHANGE	08/07/2009	KAH
B	ECOR #A0955	05/17/2016	KAH
C	ECOR #A1049	10/04/2017	KAH
D	ECOR #A1108	12/13/2017	KAH



DIMENSIONS ARE IN INCHES UNLESS SPECIFIED. TOLERANCES ARE:
 FRACTIONS +/- .015
 2 PLACE DECIMAL +/- .010
 3 PLACE DECIMAL +/- .005
 ANGLES NOTED

ARK-PLAS PRODUCTS, INC.
 CEC36-PR0
 3/8 x 3/8 x 1/8 COMMERCIAL GRADE
 BARBED REDUCING TEE CONNECTOR

MATERIAL:
 POLYPROPYLENE, NATURAL
 FINISH:
 RMS 109.2

SIZE A	JOB # MP251	DRAWN BY: <i>KAH</i>	REV. LEVEL D
SCALE: 1:1 DO NOT SCALE DRAWING		SHEET 1 OF 1	

FREE SAMPLES ARE AVAILABLE FOR TESTING. CONTACT CUSTOMER SERVICE

PROPRIETARY AND CONFIDENTIAL
 THE INFORMATION CONTAINED IN THIS DRAWING IS THE SOLE PROPERTY OF ARK-PLAS PRODUCTS, INC. ANY REPRODUCTION IN PART OR AS A WHOLE WITHOUT THE WRITTEN PERMISSION OF ARK-PLAS PRODUCTS, INC. IS PROHIBITED.