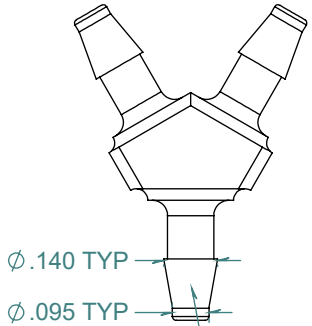
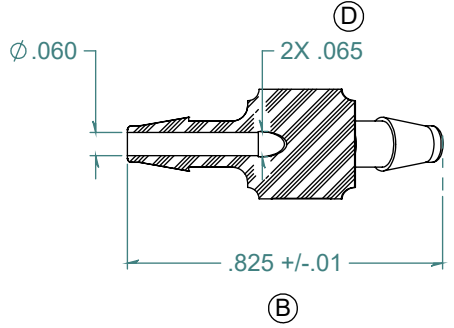
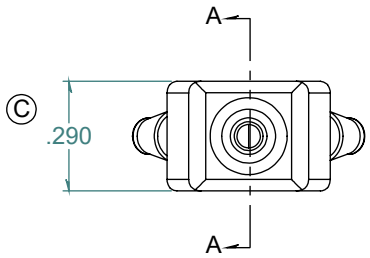
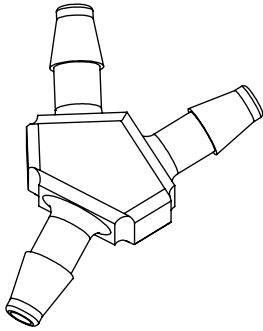


REVISION HISTORY			
REV.	DESCRIPTION	DATE	APPROVED
A	REDRAWN w/o CHANGE	03/18/2010	KAH
B	ECOR #A0589	03/18/2010	KAH
C	ECOR #A1037	08/01/2017	KAH
D	ECO #A1153	07/25/2018	KAH



3X NO PARTING LINE ALLOWED ON THIS SURFACE



SECTION A-A

DIMENSIONS ARE IN INCHES UNLESS SPECIFIED. TOLERANCES ARE:
 FRACTIONS +/- .015
 2 PLACE DECIMAL +/- .010
 3 PLACE DECIMAL +/- .005
 ANGLES NOTED

ARK-PLAS PRODUCTS, INC.

MDX52-NY2
 3/32 x 3/32 x 3/32 PREMIUM GRADE
 BARBED Y CONNECTOR

MATERIAL:
 NYLON, WHITE
 FINISH:
 RMS 109.2 / POLISHED BARBS

SIZE A	JOB # AP031A	DRAWN BY: <i>KAH</i>	REV. LEVEL D
SCALE: 2:1 DO NOT SCALE DRAWING		SHEET 1 OF 1	

FREE SAMPLES ARE AVAILABLE FOR TESTING. CONTACT CUSTOMER SERVICE

PROPRIETARY AND CONFIDENTIAL

THE INFORMATION CONTAINED IN THIS DRAWING IS THE SOLE PROPERTY OF ARK-PLAS PRODUCTS, INC. ANY REPRODUCTION IN PART OR AS A WHOLE WITHOUT THE WRITTEN PERMISSION OF ARK-PLAS PRODUCTS, INC. IS PROHIBITED.