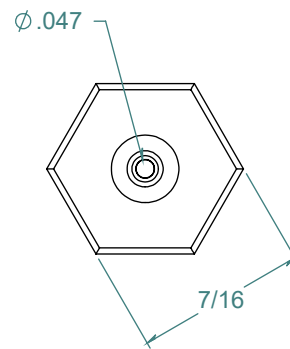
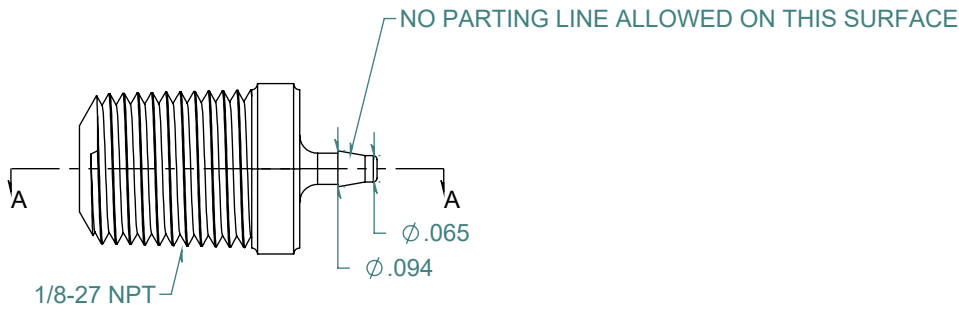
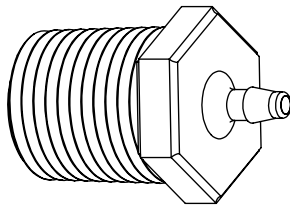
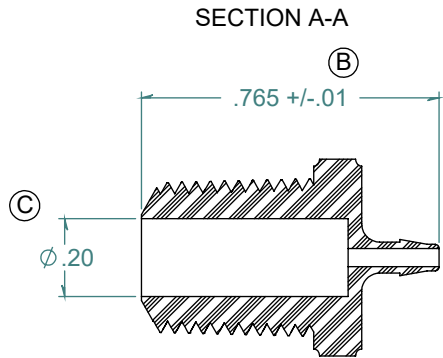


REVISION HISTORY			
REV.	DESCRIPTION	DATE	APPROVED
A	REDRAWN w/ CHANGE	01/07/2010	KAH
B	ECOR #A0528	01/07/2010	KAH
C	ECOR #A0953	07/02/2018	KAH



FREE SAMPLES ARE AVAILABLE FOR TESTING. CONTACT CUSTOMER SERVICE

DIMENSIONS ARE IN INCHES UNLESS SPECIFIED. TOLERANCES ARE:
 FRACTIONS +/- .015
 2 PLACE DECIMAL +/- .010
 3 PLACE DECIMAL +/- .005
 ANGLES NOTED

ARK-PLAS PRODUCTS, INC.

MEX45-NY2
 1/16 x 1/8-27 NPT PREMIUM GRADE
 BARBED THREADED CONNECTOR

MATERIAL:
 NYLON, WHITE

FINISH:
 RMS 109.2 / POLISHED BARBS

SIZE A	JOB # MP128	DRAWN BY: <i>KAH</i>	REV. LEVEL C
SCALE: 2:1 DO NOT SCALE DRAWING		SHEET 1 OF 1	

PROPRIETARY AND CONFIDENTIAL
 THE INFORMATION CONTAINED IN THIS DRAWING IS THE SOLE PROPERTY OF ARK-PLAS PRODUCTS, INC. ANY REPRODUCTION IN PART OR AS A WHOLE WITHOUT THE WRITTEN PERMISSION OF ARK-PLAS PRODUCTS, INC. IS PROHIBITED.