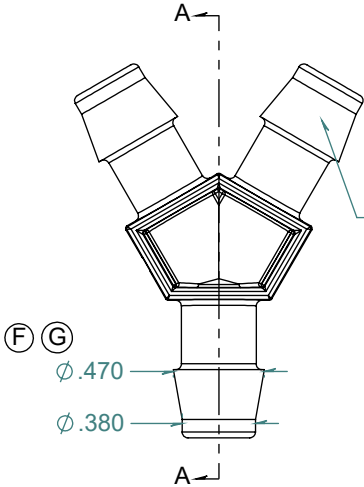
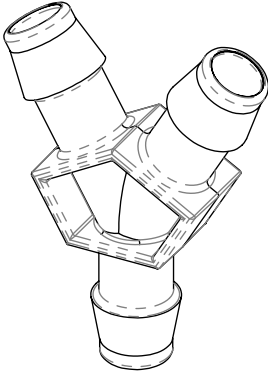
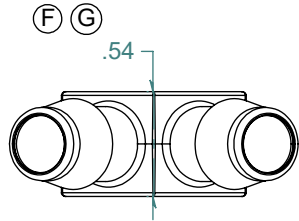
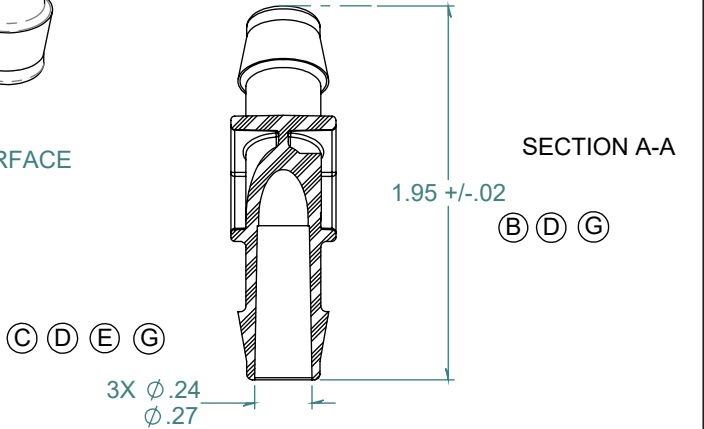


REVISION HISTORY			
REV.	DESCRIPTION	DATE	APPROVED
A	REDRAWN w/ CHANGE	03/18/2010	KAH
B	ECOR #A0593	03/18/2010	KAH
C	ECOR #A0605	04/20/2010	KAH
D	ECOR #A0888	07/30/2015	KAH
E	ECOR #A0971	07/13/2016	KAH
F	ECOR #A1012	03/30/2017	KAH
G	ECO #A1163	10/22/2018	KAH



3X NO PARTING LINE ALLOWED ON THIS SURFACE



DIMENSIONS ARE IN INCHES UNLESS SPECIFIED. TOLERANCES ARE:
 FRACTIONS +/- .015
 2 PLACE DECIMAL +/- .010
 3 PLACE DECIMAL +/- .005
 ANGLES NOTED

ARK-PLAS PRODUCTS, INC.

MDX44-DF0
 3/8 x 3/8 x 3/8 PREMIUM GRADE
 BARBED Y CONNECTOR

MATERIAL:
 KYNAR, NATURAL
 FINISH:
 RMS 109.2 / POLISHED BARBS

SIZE A	JOB # AP774	DRAWN BY: <i>KAH</i>	REV. LEVEL G
SCALE: 1:1 DO NOT SCALE DRAWING		SHEET 1 OF 1	

FREE SAMPLES ARE AVAILABLE FOR TESTING. CONTACT CUSTOMER SERVICE

PROPRIETARY AND CONFIDENTIAL

THE INFORMATION CONTAINED IN THIS DRAWING IS THE SOLE PROPERTY OF ARK-PLAS PRODUCTS, INC. ANY REPRODUCTION IN PART OR AS A WHOLE WITHOUT THE WRITTEN PERMISSION OF ARK-PLAS PRODUCTS, INC. IS PROHIBITED.