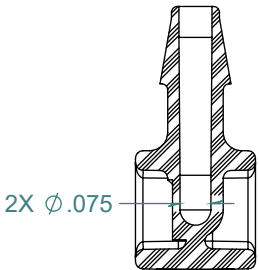
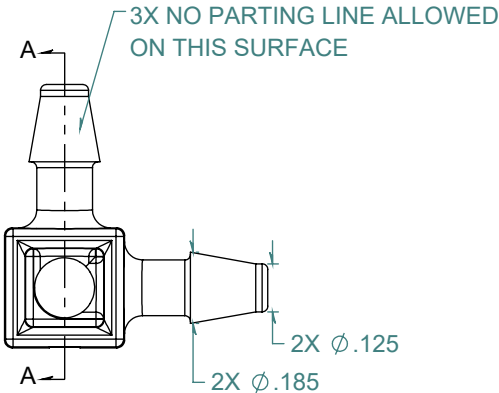
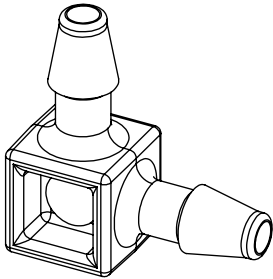
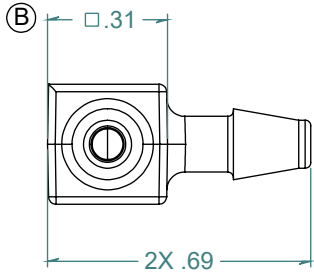


REVISION HISTORY			
REV.	DESCRIPTION	DATE	APPROVED
A	REDRAWN w/ CHANGE	09/30/2009	KAH
B	ECO #A0144	09/30/2009	KAH
C	ECO #A1155	11/26/2018	KAH



SECTION A-A

DIMENSIONS ARE IN INCHES UNLESS SPECIFIED. TOLERANCES ARE:  
 FRACTIONS +/- .015  
 2 PLACE DECIMAL +/- .010  
 3 PLACE DECIMAL +/- .005  
 ANGLE +/- 1/2°

**ARK-PLAS PRODUCTS, INC.**

MCX14-DF0  
 1/8 x 1/8 PREMIUM GRADE  
 BARBED ELBOW CONNECTOR

MATERIAL: KYNAR, NATURAL

FINISH: RMS 109.2  
 POLISHED BARBS

SIZE	JOB # AP808	DRAWN BY: KAH	REV. LEVEL
<b>A</b>	SCALE: 2:1 DO NOT SCALE DRAWING	SHEET 1 OF 1	<b>C</b>

**PROPRIETARY AND CONFIDENTIAL**

THE INFORMATION CONTAINED IN THIS DRAWING IS THE SOLE PROPERTY OF ARK-PLAS PRODUCTS, INC. ANY REPRODUCTION IN PART OR AS A WHOLE WITHOUT THE WRITTEN PERMISSION OF ARK-PLAS PRODUCTS, INC. IS PROHIBITED.