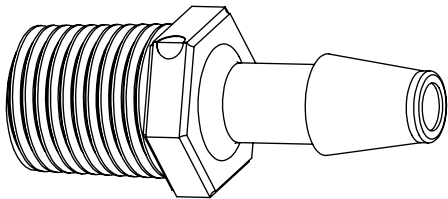
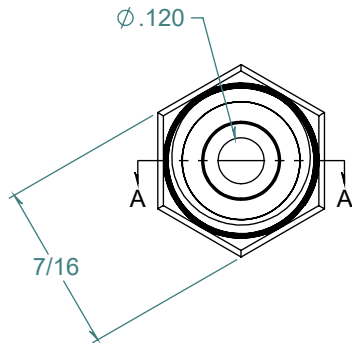
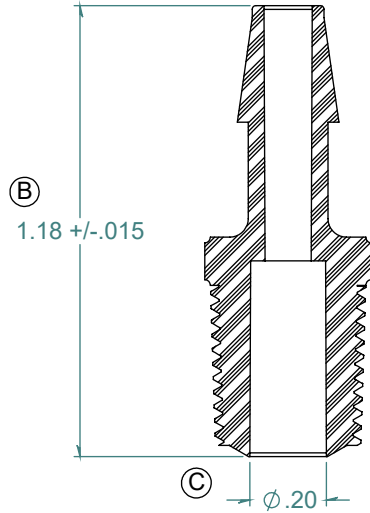
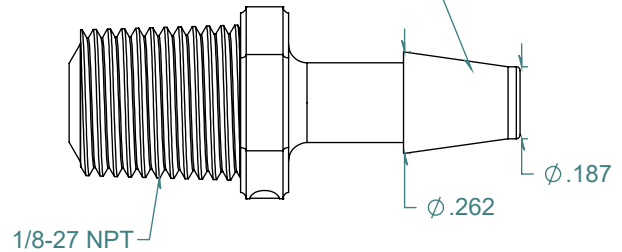


REVISION HISTORY			
REV.	DESCRIPTION	DATE	APPROVED
A	REDRAWN w/ CHANGE	01/08/2010	KAH
B	ECOR #A0531	01/08/2010	KAH
C	ECOR #A0953	05/13/2016	KAH

SECTION A-A



NO PARTING LINE ALLOWED ON THIS SURFACE



DIMENSIONS ARE IN INCHES UNLESS SPECIFIED. TOLERANCES ARE:  
 FRACTIONS +/- .015  
 2 PLACE DECIMAL +/- .010  
 3 PLACE DECIMAL +/- .005  
 ANGLES NOTED

**ARK-PLAS PRODUCTS, INC.**

MEX88-NY2  
 3/16 x 1/8-27 NPT PREMIUM GRADE  
 BARBED THREADED CONNECTOR

FREE SAMPLES ARE AVAILABLE FOR TESTING. CONTACT CUSTOMER SERVICE

MATERIAL:  
 NYLON, WHITE

FINISH:  
 RMS 109.2 / POLISHED BARB

SIZE <b>A</b>	JOB # AP741	DRAWN BY: <i>KAH</i>	REV. LEVEL <b>C</b>
SCALE: 2:1 DO NOT SCALE DRAWING		SHEET 1 OF 1	

**PROPRIETARY AND CONFIDENTIAL**  
 THE INFORMATION CONTAINED IN THIS DRAWING IS THE SOLE PROPERTY OF ARK-PLAS PRODUCTS, INC. ANY REPRODUCTION IN PART OR AS A WHOLE WITHOUT THE WRITTEN PERMISSION OF ARK-PLAS PRODUCTS, INC. IS PROHIBITED.