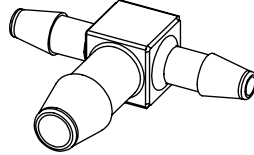
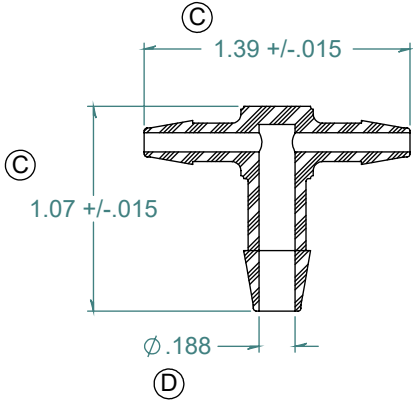
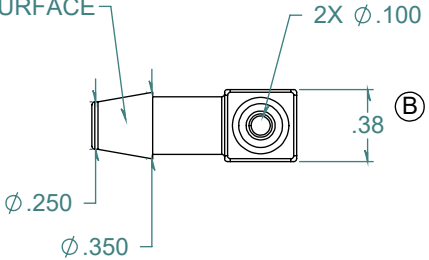
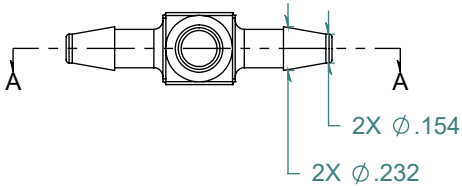


| REVISION HISTORY |                   |            |          |
|------------------|-------------------|------------|----------|
| REV.             | DESCRIPTION       | DATE       | APPROVED |
| A                | REDRAWN w/ CHANGE | 09/15/2009 | KAH      |
| B                | ECOR #A0144       | 09/22/2009 | KAH      |
| C                | ECOR #A0451       | 09/22/2009 | KAH      |
| D                | ECOR #A0954       | 05/16/2016 | KAH      |

SECTION A-A  
SCALE 1 : 1



3X NO PARTING LINE ALLOWED  
ON THIS SURFACE



DIMENSIONS ARE IN INCHES UNLESS SPECIFIED. TOLERANCES ARE:  
 FRACTIONS +/- .015  
 2 PLACE DECIMAL +/- .010  
 3 PLACE DECIMAL +/- .005  
 ANGLES NOTED

**ARK-PLAS PRODUCTS, INC.**

MFD81-DF0  
 5/32 x 5/32 x 1/4 PREMIUM GRADE  
 BARBED ENLARGING TEE CONNECTOR

MATERIAL:  
 KYNAR, NATURAL  
 FINISH:  
 RMS 109.2 / POLISHED BARBS

|          |                                    |                      |            |
|----------|------------------------------------|----------------------|------------|
| SIZE     | JOB # AP288A                       | DRAWN BY: <i>KAH</i> | REV. LEVEL |
| <b>A</b> | SCALE: 2:1<br>DO NOT SCALE DRAWING | SHEET 1 OF 1         | <b>D</b>   |

FREE SAMPLES ARE AVAILABLE FOR TESTING. CONTACT CUSTOMER SERVICE

**PROPRIETARY AND CONFIDENTIAL**

THE INFORMATION CONTAINED IN THIS DRAWING IS THE SOLE PROPERTY OF ARK-PLAS PRODUCTS, INC. ANY REPRODUCTION IN PART OR AS A WHOLE WITHOUT THE WRITTEN PERMISSION OF ARK-PLAS PRODUCTS, INC. IS PROHIBITED.