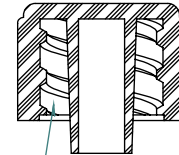
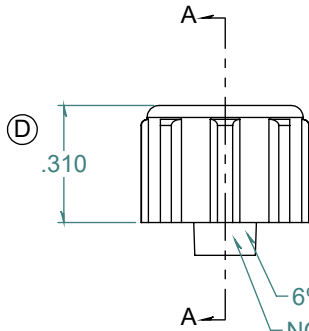
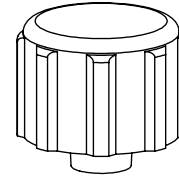
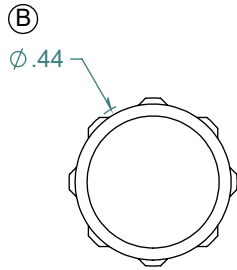


REVISION HISTORY			
REV.	DESCRIPTION	DATE	APPROVED
A	REDRAWN w/ CHANGE	10/12/2009	KAH
B	ECOR #A0144	10/12/2009	KAH
C	ECOR #A0751	04/27/2012	KAH
D	ECO #A1119	01/24/2018	KAH



SECTION A-A
SCALE 2 : 1

6% TAPERED SLIP MALE 5 TPI DOUBLE LEAD RIGHT HAND THREAD
NO PARTING LINE ALLOWED ON THIS SURFACE

DIMENSIONS ARE IN INCHES UNLESS SPECIFIED. TOLERANCES ARE:
 FRACTIONS +/- .015
 2 PLACE DECIMAL +/- .010
 3 PLACE DECIMAL +/- .005
 ANGLES NOTED

ARK-PLAS PRODUCTS, INC.

LPA31-PP0
LOCKING MALE LUER PLUG

FREE SAMPLES ARE AVAILABLE FOR TESTING. CONTACT CUSTOMER SERVICE

MATERIAL:
POLYPROPYLENE, NATURAL

LUER DESIGNED TO **ISO** STANDARD

PROPRIETARY AND CONFIDENTIAL
 THE INFORMATION CONTAINED IN THIS DRAWING IS THE SOLE PROPERTY OF ARK-PLAS PRODUCTS, INC. ANY REPRODUCTION IN PART OR AS A WHOLE WITHOUT THE WRITTEN PERMISSION OF ARK-PLAS PRODUCTS, INC. IS PROHIBITED.

FINISH:
RMS 109.2

SIZE A	JOB # MP277	DRAWN BY: <i>KAH</i>	REV. LEVEL
	SCALE: 2:1 DO NOT SCALE DRAWING	SHEET 1 OF 1	D