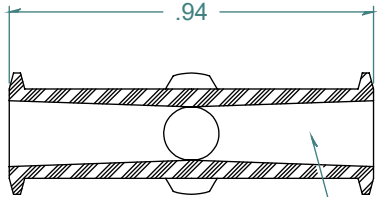
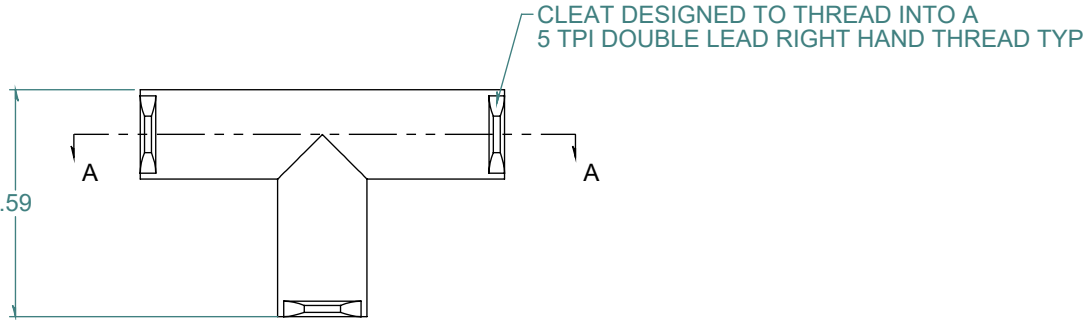
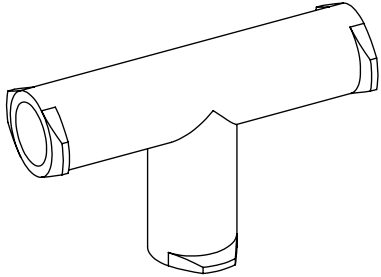


REVISION HISTORY			
REV.	DESCRIPTION	DATE	APPROVED
A	REDRAWN w/o CHANGE	10/27/2009	KAH
B	ECOR #A0826	10/28/2013	KAH

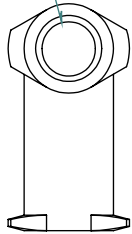
SECTION A-A



6% TAPER FEMALE LUER TYP



ⓑ Ø .170
Ø .133 TYP



DIMENSIONS ARE IN INCHES UNLESS SPECIFIED. TOLERANCES ARE:
 FRACTIONS +/- .015
 2 PLACE DECIMAL +/- .010
 3 PLACE DECIMAL +/- .005
 ANGLES NOTED

ARK-PLAS PRODUCTS, INC.

LNC69-PP0
 FEMALE LUER x FEMALE LUER x FEMALE LUER TEE

MATERIAL:
 NATURAL POLYPROPYLENE

LUERS DESIGNED TO **ISO** STANDARDS

FINISH:
 RMS 109.2 / POLISHED LUERS

SIZE	JOB # MP087	DRAWN BY: <i>KAH</i>	REV. LEVEL
A	SCALE: 2:1 DO NOT SCALE DRAWING	SHEET 1 OF 1	B

FREE SAMPLES ARE AVAILABLE FOR TESTING. CONTACT CUSTOMER SERVICE

PROPRIETARY AND CONFIDENTIAL

THE INFORMATION CONTAINED IN THIS DRAWING IS THE SOLE PROPERTY OF ARK-PLAS PRODUCTS, INC. ANY REPRODUCTION IN PART OR AS A WHOLE WITHOUT THE WRITTEN PERMISSION OF ARK-PLAS PRODUCTS, INC. IS PROHIBITED.