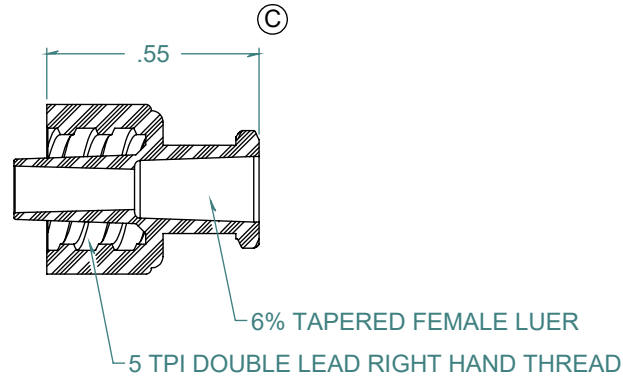
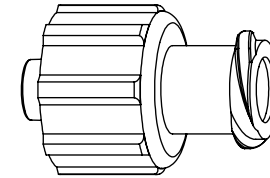


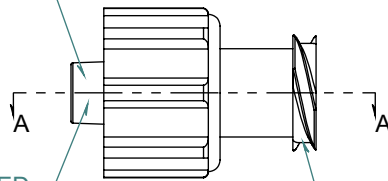
SECTION A-A



REVISION HISTORY			
REV.	DESCRIPTION	DATE	APPROVED
A	REDRAWN w/ CHANGE	10/12/2009	KAH
B	ECOR #A0144	10/12/2009	KAH
C	ECOR #A0486	10/12/2009	KAH
D	ECOR #A1008	03/07/2017	KAH

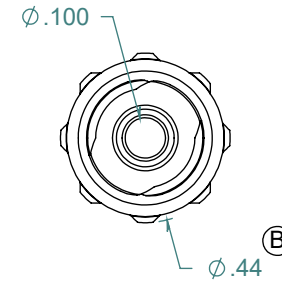


6% TAPERED SLIP MALE



NO PARTING LINE ALLOWED ON THIS SURFACE

5 TPI DOUBLE LEAD RIGHT HAND FULL THREAD



DIMENSIONS ARE IN INCHES UNLESS SPECIFIED. TOLERANCES ARE:  
 FRACTIONS +/- .015  
 2 PLACE DECIMAL +/- .010  
 3 PLACE DECIMAL +/- .005  
 ANGLES NOTED

**ARK-PLAS PRODUCTS, INC.**

LNA82-NYO  
 MALE LUER w/ LOCKING NUT TO  
 FEMALE LUER w/ FULL THREAD CONNECTOR

FREE SAMPLES ARE AVAILABLE FOR TESTING. CONTACT CUSTOMER SERVICE

MATERIAL:  
 NYLON, NATURAL

LUERS DESIGNED TO **ISO** STANDARDS

**PROPRIETARY AND CONFIDENTIAL**  
 THE INFORMATION CONTAINED IN THIS DRAWING IS THE SOLE PROPERTY OF ARK-PLAS PRODUCTS, INC. ANY REPRODUCTION IN PART OR AS A WHOLE WITHOUT THE WRITTEN PERMISSION OF ARK-PLAS PRODUCTS, INC. IS PROHIBITED.

FINISH:  
 RMS 109.2

SIZE <b>A</b>	JOB # AP159	DRAWN BY: <i>KAH</i>	REV. LEVEL <b>D</b>
SCALE: 2:1 DO NOT SCALE DRAWING		SHEET 1 OF 1	