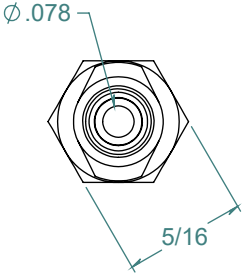
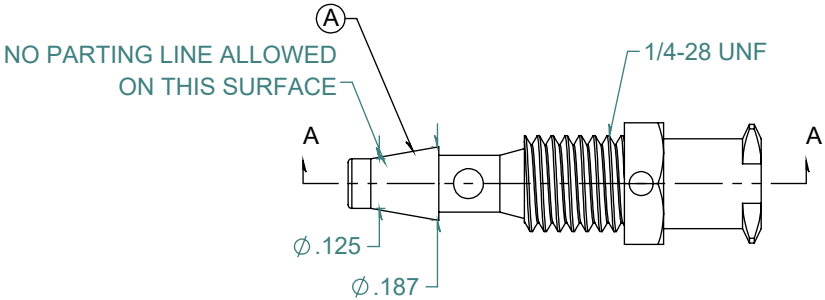
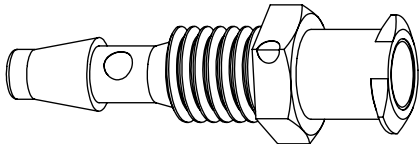
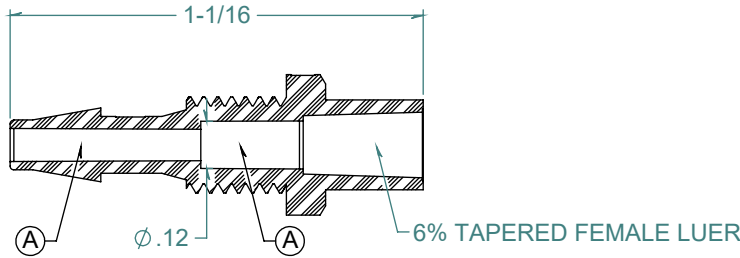


REVISION HISTORY			
REV.	DESCRIPTION	DATE	APPROVED
A	ECOR #1076	12/04/2017	KAH
B	PRINT RELEASE DATE	05/24/2018	KAH

SECTION A-A



DIMENSIONS ARE IN INCHES UNLESS SPECIFIED. TOLERANCES ARE:
 FRACTIONS +/- .015
 2 PLACE DECIMAL +/- .010
 3 PLACE DECIMAL +/- .005
 ANGLE +/- 1/2°

ARK-PLAS PRODUCTS, INC.

LJX84-PP0
 1/8 FEMALE BULKHEAD LUER

MATERIAL:
 POLYPROPYLENE, NATURAL

LUER DESIGNED TO ISO STANDARDS

FINISH:
 RMS 109.2, POLISHED BARB

SIZE	JOB # AP760	DRAWN BY: KAH	REV. LEVEL
A	SCALE: 2:1 DO NOT SCALE DRAWING	SHEET 1 OF 1	B

FREE SAMPLES ARE AVAILABLE FOR TESTING. CONTACT CUSTOMER SERVICE

PROPRIETARY AND CONFIDENTIAL

THE INFORMATION CONTAINED IN THIS DRAWING IS THE SOLE PROPERTY OF ARK-PLAS PRODUCTS, INC. ANY REPRODUCTION IN PART OR AS A WHOLE WITHOUT THE WRITTEN PERMISSION OF ARK-PLAS PRODUCTS, INC. IS PROHIBITED.