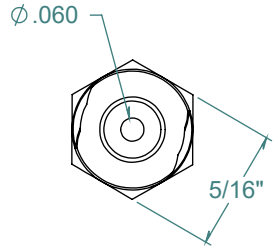
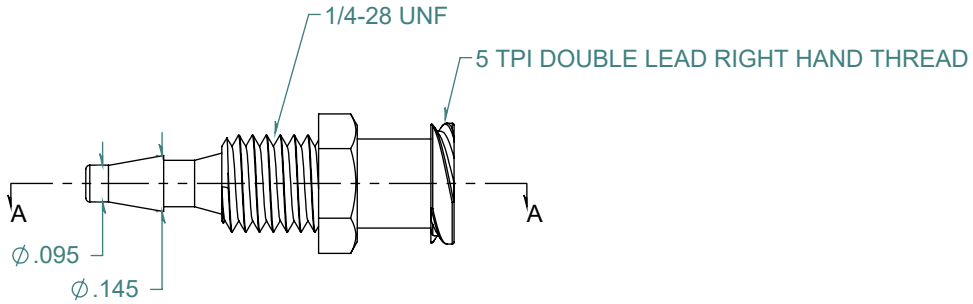
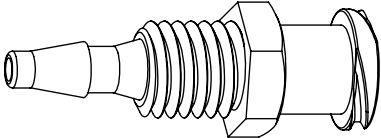
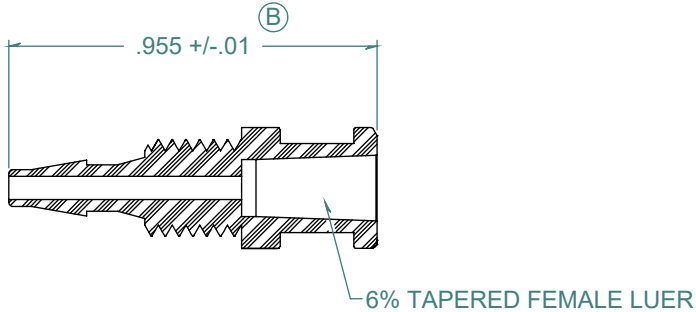


REVISION HISTORY			
REV.	DESCRIPTION	DATE	APPROVED
A	REDRAWN w/ CHANGE	10/23/2009	KAH
B	ECOR A0493	10/23/2009	KAH

SECTION A-A



DIMENSIONS ARE IN INCHES UNLESS SPECIFIED. TOLERANCES ARE:
 FRACTIONS +/- .015
 2 PLACE DECIMAL +/- .010
 3 PLACE DECIMAL +/- .005
 ANGLES NOTED

ARK-PLAS PRODUCTS, INC.
 LJX59-NY0
 3/32" BARBED FEMALE LUER w/ FULL THREAD
 FOR BULKHEAD MOUNTING

MATERIAL:
 NATURAL NYLON

LUER DESIGNED TO **ISO** STANDARDS

FINISH:
 RMS 109.2 / POLISHED LUER

SIZE	JOB # AP167	DRAWN BY: <i>KAH</i>	REV. LEVEL
A	SCALE: 2:1 DO NOT SCALE DRAWING	SHEET 1 OF 1	B

FREE SAMPLES ARE AVAILABLE FOR TESTING. CONTACT CUSTOMER SERVICE

PROPRIETARY AND CONFIDENTIAL

THE INFORMATION CONTAINED IN THIS DRAWING IS THE SOLE PROPERTY OF ARK-PLAS PRODUCTS, INC. ANY REPRODUCTION IN PART OR AS A WHOLE WITHOUT THE WRITTEN PERMISSION OF ARK-PLAS PRODUCTS, INC. IS PROHIBITED.