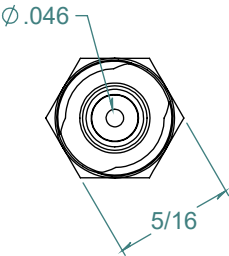
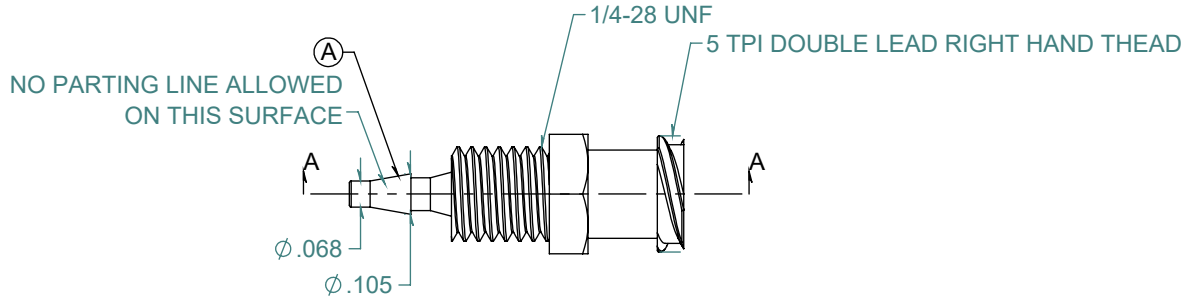
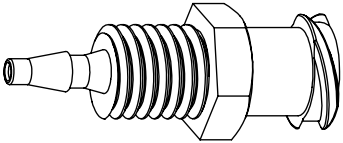
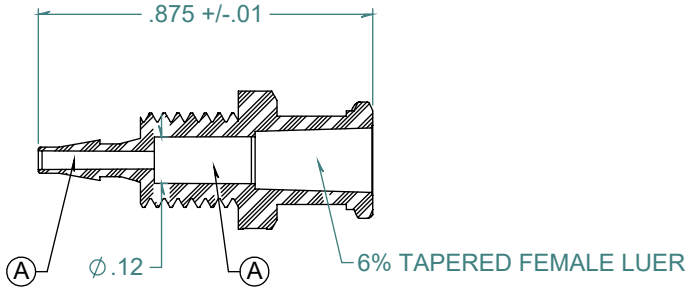


REVISION HISTORY			
REV.	DESCRIPTION	DATE	APPROVED
A	ECOR #A1075	12/01/2017	KAH
B	PRINT RELEASE DATE	05/24/2018	KAH

SECTION A-A



FREE SAMPLES ARE AVAILABLE FOR TESTING. CONTACT CUSTOMER SERVICE

DIMENSIONS ARE IN INCHES UNLESS SPECIFIED. TOLERANCES ARE:  
 FRACTIONS +/- .015  
 2 PLACE DECIMAL +/- .010  
 3 PLACE DECIMAL +/- .005  
 ANGLE NOTED

MATERIAL:  
 NYLON, NATURAL

FINISH:  
 RMS 109.2, POLISHED BARB

**ARK-PLAS PRODUCTS, INC.**

LJX40-NYO  
 1/16 FEMALE BULKHEAD LUER

*LUER DESIGNED TO ISO STANDARD*

**PROPRIETARY AND CONFIDENTIAL**  
 THE INFORMATION CONTAINED IN THIS DRAWING IS THE SOLE PROPERTY OF ARK-PLAS PRODUCTS, INC. ANY REPRODUCTION IN PART OR AS A WHOLE WITHOUT THE WRITTEN PERMISSION OF ARK-PLAS PRODUCTS, INC. IS PROHIBITED.

SIZE	JOB # AP761	DRAWN BY: <i>KAH</i>	REV. LEVEL
<b>A</b>	SCALE: 2:1 DO NOT SCALE DRAWING	SHEET 1 OF 1	<b>B</b>