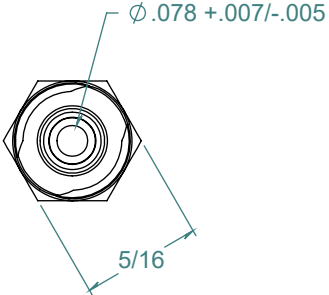
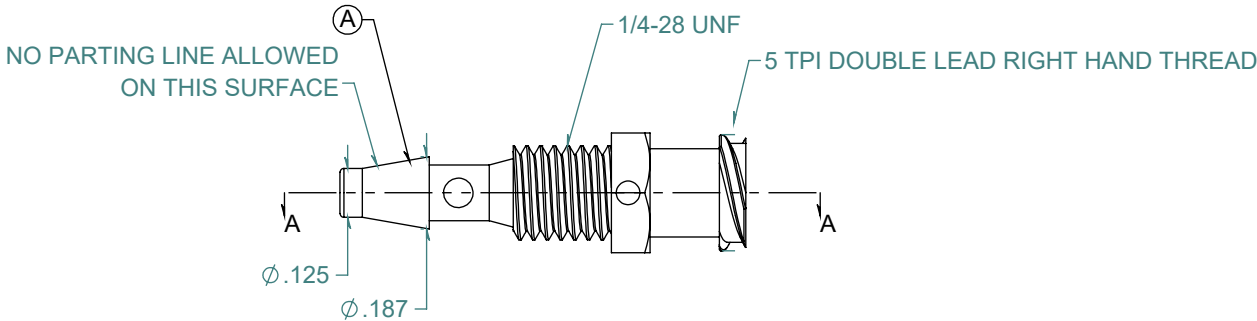
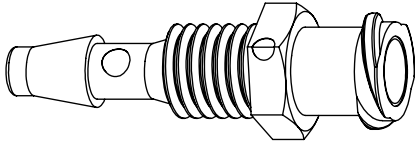
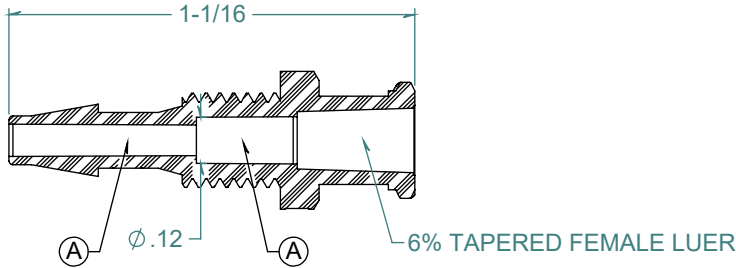


REVISION HISTORY			
REV.	DESCRIPTION	DATE	APPROVED
A	ECOR #A1073	12/01/2017	KAH
B	PRINT RELEASE DATE	05/22/2018	KAH

SECTION A-A



FREE SAMPLES ARE AVAILABLE FOR TESTING. CONTACT CUSTOMER SERVICE

DIMENSIONS ARE IN INCHES UNLESS SPECIFIED. TOLERANCES ARE:
 FRACTIONS +/- .015
 2 PLACE DECIMAL +/- .010
 3 PLACE DECIMAL +/- .005
 ANGLE NOTED

MATERIAL:
 POLYCARBONATE, NATURAL

FINISH:
 RMS 109.2, POLISHED BARB

ARK-PLAS PRODUCTS, INC.

LJX39-YC0
 1/8 FEMALE BULKHEAD LUER

LUER DESIGNED TO ISO STANDARDS

PROPRIETARY AND CONFIDENTIAL
 THE INFORMATION CONTAINED IN THIS DRAWING IS THE SOLE PROPERTY OF ARK-PLAS PRODUCTS, INC. ANY REPRODUCTION IN PART OR AS A WHOLE WITHOUT THE WRITTEN PERMISSION OF ARK-PLAS PRODUCTS, INC. IS PROHIBITED.

SIZE	JOB # AP763	DRAWN BY: <i>KAH</i>	REV. LEVEL
A	SCALE: 2:1 DO NOT SCALE DRAWING	SHEET 1 OF 1	B