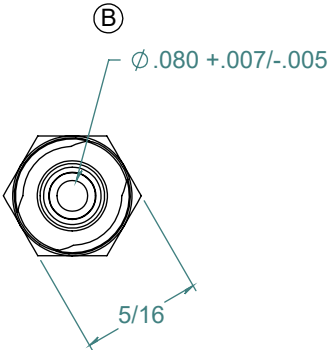
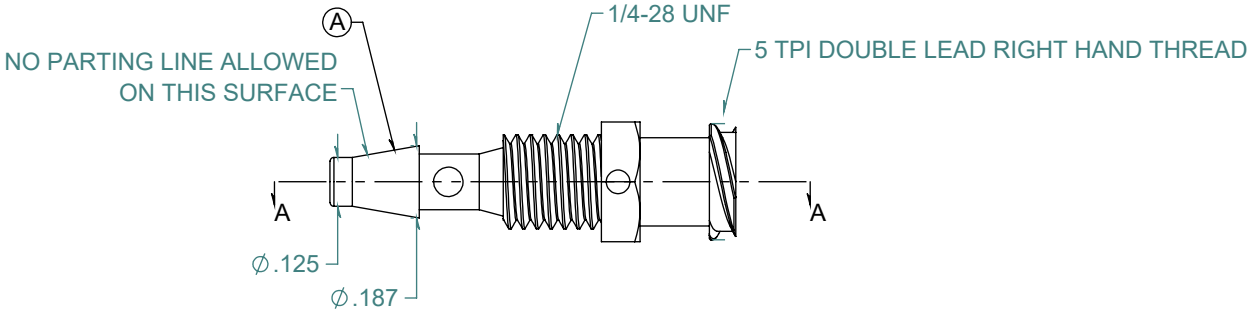
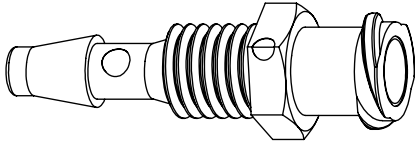
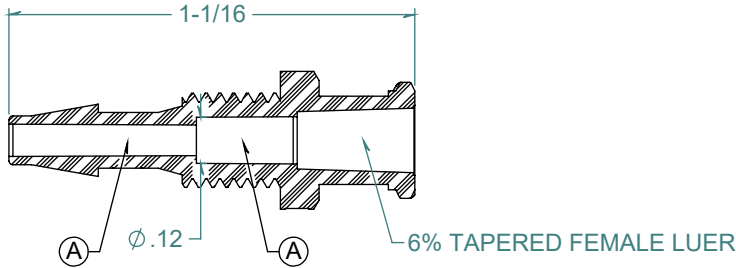


REVISION HISTORY			
REV.	DESCRIPTION	DATE	APPROVED
A	ECOR #A1073	12/01/2017	KAH
B	ECO #A1134	05/22/2018	KAH
C	PRINT RELEASE DATE	05/22/2018	KAH

SECTION A-A



FREE SAMPLES ARE AVAILABLE FOR TESTING. CONTACT CUSTOMER SERVICE

**PROPRIETARY AND CONFIDENTIAL**

THE INFORMATION CONTAINED IN THIS DRAWING IS THE SOLE PROPERTY OF ARK-PLAS PRODUCTS, INC. ANY REPRODUCTION IN PART OR AS A WHOLE WITHOUT THE WRITTEN PERMISSION OF ARK-PLAS PRODUCTS, INC. IS PROHIBITED.

DIMENSIONS ARE IN INCHES UNLESS SPECIFIED. TOLERANCES ARE:  
 FRACTIONS +/- .015  
 2 PLACE DECIMAL +/- .010  
 3 PLACE DECIMAL +/- .005  
 ANGLE NOTED

MATERIAL:  
 POLYPROPYLENE, NATURAL

FINISH:  
 RMS 109.2, POLISHED BARB

**ARK-PLAS PRODUCTS, INC.**

LJX39-PP0  
 1/8 FEMALE BULKHEAD LUER

*LUER DESIGNED TO ISO STANDARDS*

SIZE	JOB # AP763	DRAWN BY: <i>KAH</i>	REV. LEVEL
<b>A</b>	SCALE: 2:1 DO NOT SCALE DRAWING	SHEET 1 OF 1	<b>C</b>