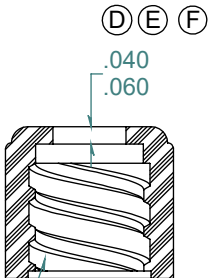
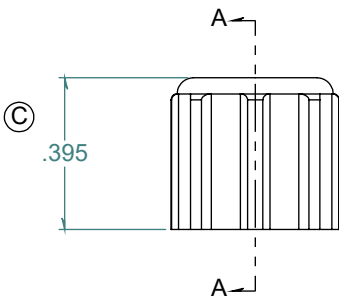
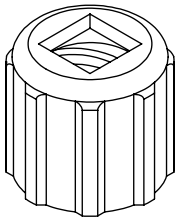
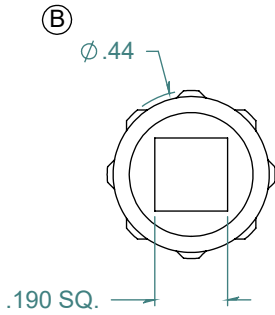


REVISION HISTORY			
REV.	DESCRIPTION	DATE	APPROVED
A	REDRAWN w/ CHANGE	10/12/2009	KAH
B	ECOR #A0144	10/12/2009	KAH
C	ECOR #A0487	10/12/2009	KAH
D	ECOR #A0875	11/11/2014	KAH
E	ECOR #A1002	02/01/2017	KAH
F	ECO #A1165	10/25/2018	KAH



SECTION A-A  
SCALE 2 : 1

5 TPI DOUBLE LEAD RIGHT HAND THREAD

DIMENSIONS ARE IN INCHES UNLESS SPECIFIED. TOLERANCES ARE:  
 FRACTIONS +/- .015  
 2 PLACE DECIMAL +/- .010  
 3 PLACE DECIMAL +/- .005  
 ANGLES NOTED

**ARK-PLAS PRODUCTS, INC.**

LEX66-PP0  
LOCK RING

FREE SAMPLES ARE AVAILABLE FOR TESTING. CONTACT CUSTOMER SERVICE

MATERIAL:  
POLYPROPYLENE, NATURAL

FINISH:  
RMS 109.2

SIZE <b>A</b>	JOB # AP099	DRAWN BY: <i>KAH</i>	REV. LEVEL <b>F</b>
	SCALE: 2:1 DO NOT SCALE DRAWING	SHEET 1 OF 1	

**PROPRIETARY AND CONFIDENTIAL**  
 THE INFORMATION CONTAINED IN THIS DRAWING IS THE SOLE PROPERTY OF ARK-PLAS PRODUCTS, INC. ANY REPRODUCTION IN PART OR AS A WHOLE WITHOUT THE WRITTEN PERMISSION OF ARK-PLAS PRODUCTS, INC. IS PROHIBITED.