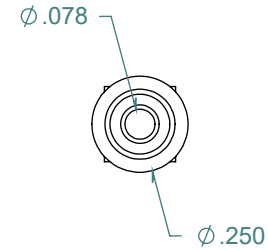
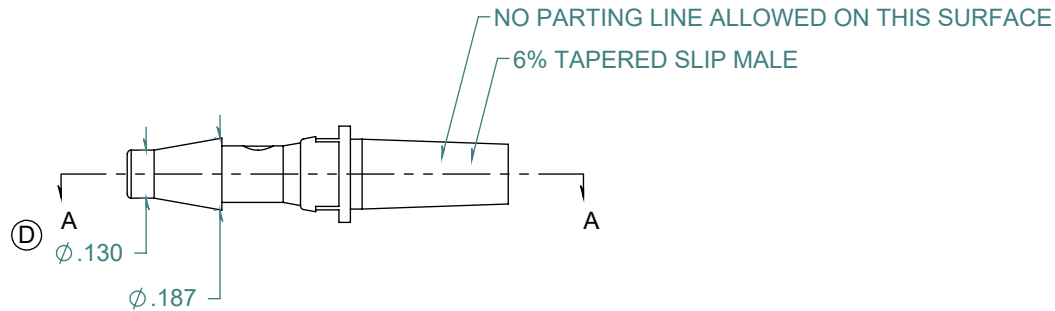
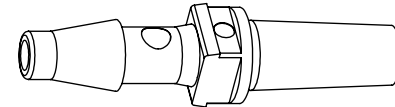
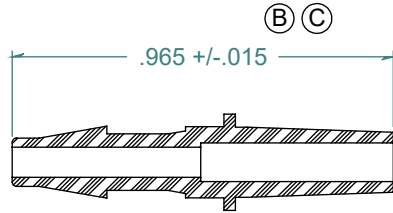


REVISION HISTORY			
REV.	DESCRIPTION	DATE	APPROVED
A	REDRAWN w/o CHANGE	11/02/2009	KAH
B	ECOR #A1030	06/13/2017	KAH
C	ECO #A1114	12/27/2017	KAH
D	ECO #A1131	05/15/2018	KAH

SECTION A-A



FREE SAMPLES ARE AVAILABLE FOR TESTING. CONTACT CUSTOMER SERVICE

DIMENSIONS ARE IN INCHES UNLESS SPECIFIED. TOLERANCES ARE:
 FRACTIONS +/- .015
 2 PLACE DECIMAL +/- .010
 3 PLACE DECIMAL +/- .005
 ANGLES NOTED

ARK-PLAS PRODUCTS, INC.

LDX69-YC0
 1/8 MALE SLIP LUER for LOCK RING

MATERIAL:
 POLYCARBONATE, NATURAL

LUER DESIGNED TO **ISO** STANDARDS

FINISH:
 RMS 109.2 / POLISHED LUER

SIZE	JOB # MP091	DRAWN BY: <i>KAH</i>	REV. LEVEL
A	SCALE: 2:1 DO NOT SCALE DRAWING	SHEET 1 OF 1	D

PROPRIETARY AND CONFIDENTIAL

THE INFORMATION CONTAINED IN THIS DRAWING IS THE SOLE PROPERTY OF ARK-PLAS PRODUCTS, INC. ANY REPRODUCTION IN PART OR AS A WHOLE WITHOUT THE WRITTEN PERMISSION OF ARK-PLAS PRODUCTS, INC. IS PROHIBITED.