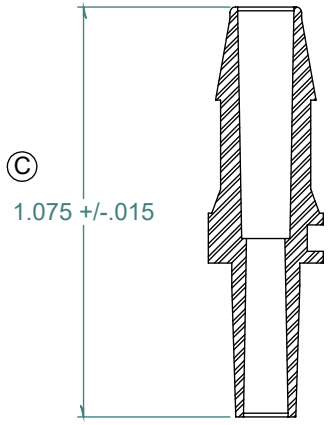
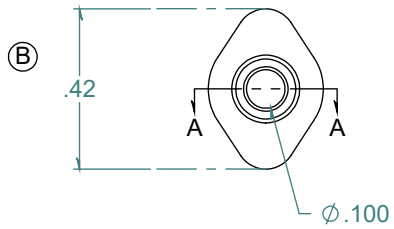
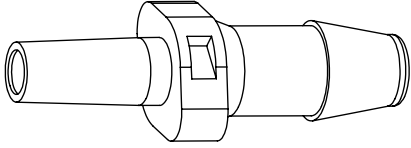


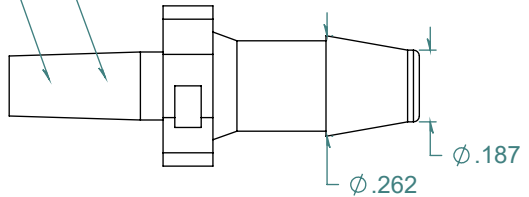
REVISION HISTORY			
REV.	DESCRIPTION	DATE	APPROVED
A	REDRAWN w/ CHANGE	10/05/2009	KAH
B	ECOR #A0144	10/05/2009	KAH
C	ECOR #A0474	10/05/2009	KAH



SECTION A-A



NO PARTING LINE ALLOWED ON THIS SURFACE  
6% TAPERED SLIP MALE



DIMENSIONS ARE IN INCHES UNLESS SPECIFIED. TOLERANCES ARE:  
 FRACTIONS +/- .015  
 2 PLACE DECIMAL +/- .010  
 3 PLACE DECIMAL +/- .005  
 ANGLE +/- 1/2°

**ARK-PLAS PRODUCTS, INC.**

LCX26-YC0  
3/16 MALE SLIP LUER

MATERIAL:  
POLYCARBONATE, NATURAL

LUER DESIGNED TO **ISO** STANDARDS

FINISH: RMS 109.2  
POLISHED LUER

SIZE	JOB # AP731	DRAWN BY: <i>KAH</i>	REV. LEVEL
<b>A</b>	SCALE: 2:1 DO NOT SCALE DRAWING	SHEET 1 OF 1	<b>C</b>

FREE SAMPLES ARE AVAILABLE FOR TESTING. CONTACT CUSTOMER SERVICE

**PROPRIETARY AND CONFIDENTIAL**

THE INFORMATION CONTAINED IN THIS DRAWING IS THE SOLE PROPERTY OF ARK-PLAS PRODUCTS, INC. ANY REPRODUCTION IN PART OR AS A WHOLE WITHOUT THE WRITTEN PERMISSION OF ARK-PLAS PRODUCTS, INC. IS PROHIBITED.