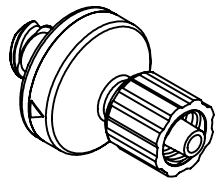
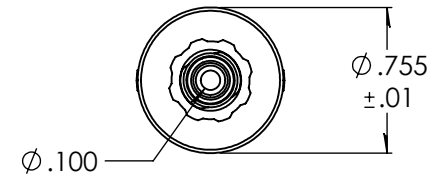
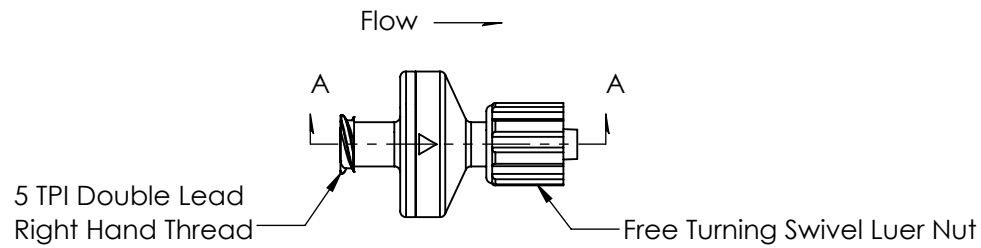
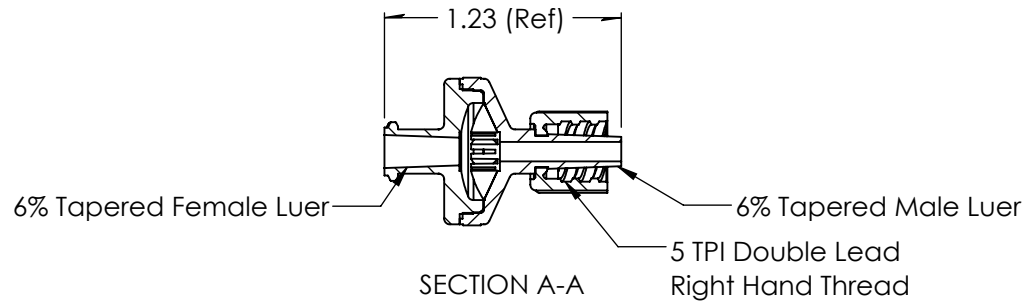


Revision History

Rev.	Description	Date	Approved
A	Print Release Date	11/13/2023	JWM



Unless otherwise specified tolerances are in inches		ARKPLAS	
SAE Tolerances		Part #: HFX15-GP0	
Fractions: +/- .015 2 Place Decimal: +/- .010 3 Place Decimal: +/- .005 Angle: +/- 1/2*		Description: Female x Locking Male Luer Check Valve Luer Designed To ISO Standards Silicone Diaphragm	
Material: Gamma Stable Polycarbonate 2081-15			
		A	A