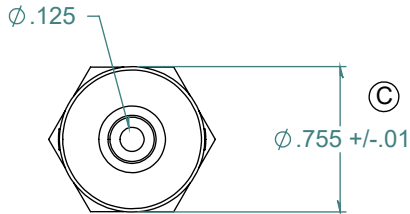
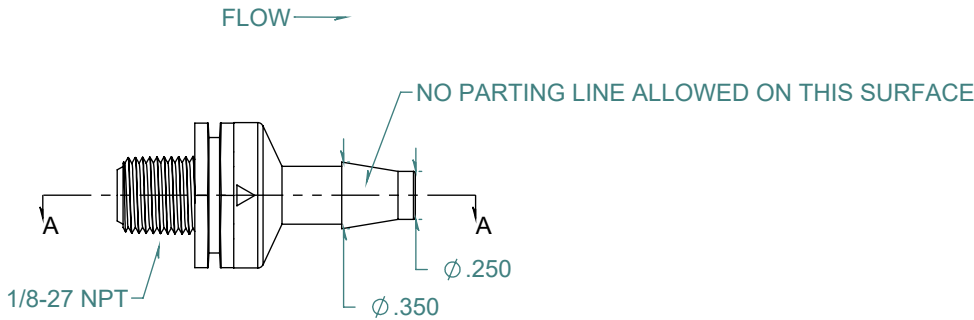
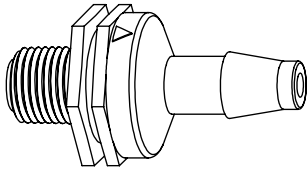
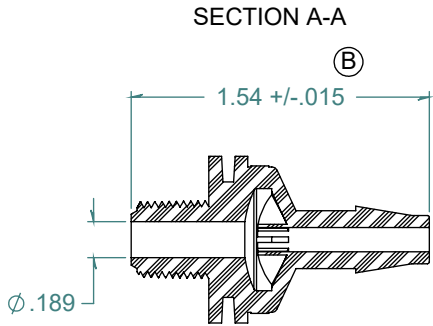


REVISION HISTORY			
REV.	DESCRIPTION	DATE	APPROVED
A	REDRAWN w/ CHANGE	01/22/2010	KAH
B	ECOR #A0552	01/22/2010	KAH
C	ECOR #A0661	02/24/2011	KAH



FREE SAMPLES ARE AVAILABLE FOR TESTING. CONTACT CUSTOMER SERVICE

DIMENSIONS ARE IN INCHES UNLESS SPECIFIED. TOLERANCES ARE:  
 FRACTIONS +/- .015  
 2 PLACE DECIMAL +/- .010  
 3 PLACE DECIMAL +/- .005  
 ANGLES NOTED

**ARK-PLAS PRODUCTS, INC.**

HEX69-PP0  
 1/8-27 NPT x 1/4" PREMIUM GRADE  
 THREADED CHECK VALVE

VITON DIAPHRAGM

MATERIAL:  
 NATURAL POLYPROPYLENE

FINISH:  
 RMS 109.2 / POLISHED BARB

SIZE	JOB #	MP141 MP146	DRAWN BY: <i>KAH</i>	REV. LEVEL
<b>A</b>	SCALE:	1:1	SHEET 1 OF 1	<b>C</b>
			DO NOT SCALE DRAWING	

**PROPRIETARY AND CONFIDENTIAL**  
 THE INFORMATION CONTAINED IN THIS DRAWING IS THE SOLE PROPERTY OF ARK-PLAS PRODUCTS, INC. ANY REPRODUCTION IN PART OR AS A WHOLE WITHOUT THE WRITTEN PERMISSION OF ARK-PLAS PRODUCTS, INC. IS PROHIBITED.