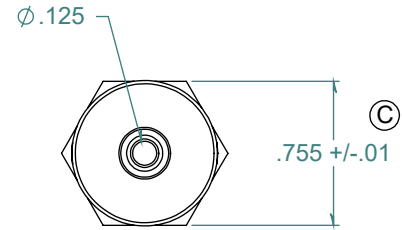
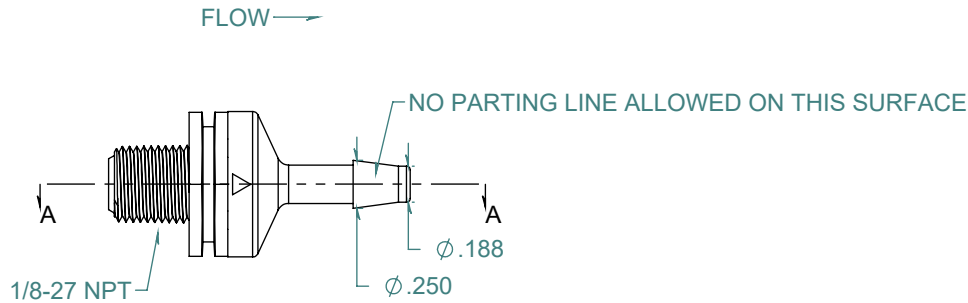
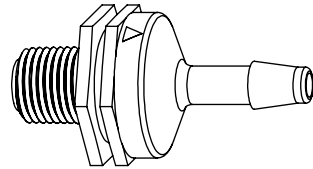
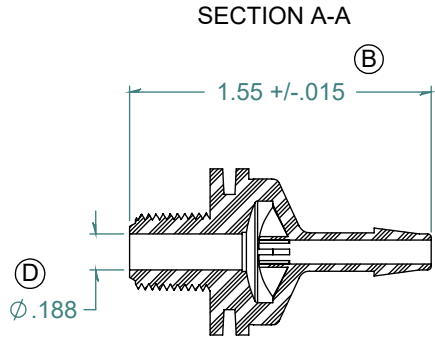


REVISION HISTORY			
REV.	DESCRIPTION	DATE	APPROVED
A	REDRAWN w/ CHANGE	01/21/2010	KAH
B	ECOR #A0550	01/21/2010	KAH
C	ECOR #A0661	02/24/2011	KAH
D	ECOR #A0952	05/13/2016	KAH



FREE SAMPLES ARE AVAILABLE FOR TESTING. CONTACT CUSTOMER SERVICE

DIMENSIONS ARE IN INCHES UNLESS SPECIFIED. TOLERANCES ARE:  
 FRACTIONS +/- .015  
 2 PLACE DECIMAL +/- .010  
 3 PLACE DECIMAL +/- .005  
 ANGLES NOTED

**ARK-PLAS PRODUCTS, INC.**

HEX40-NY0  
 1/8-27 NPT x 3/16" PREMIUM GRADE  
 THREADED CHECK VALVE  
 NEOPRENE DIAPHRAGM

MATERIAL:  
 NATURAL NYLON

FINISH:  
 RMS 109.2 / POLISHED BARB

SIZE <b>A</b>	JOB # MP141 MP145	DRAWN BY: KAH	REV. LEVEL <b>D</b>
SCALE: 1:1 DO NOT SCALE DRAWING		SHEET 1 OF 1	

**PROPRIETARY AND CONFIDENTIAL**

THE INFORMATION CONTAINED IN THIS DRAWING IS THE SOLE PROPERTY OF ARK-PLAS PRODUCTS, INC. ANY REPRODUCTION IN PART OR AS A WHOLE WITHOUT THE WRITTEN PERMISSION OF ARK-PLAS PRODUCTS, INC. IS PROHIBITED.