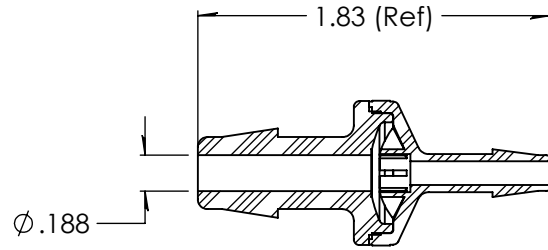
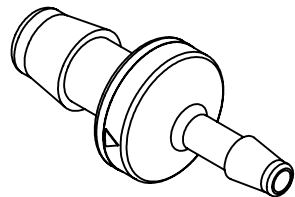
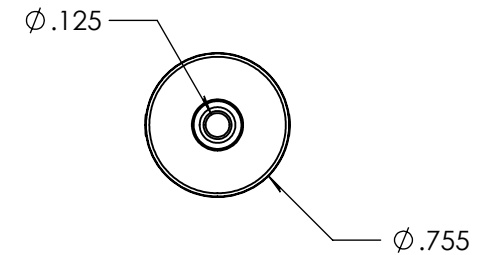
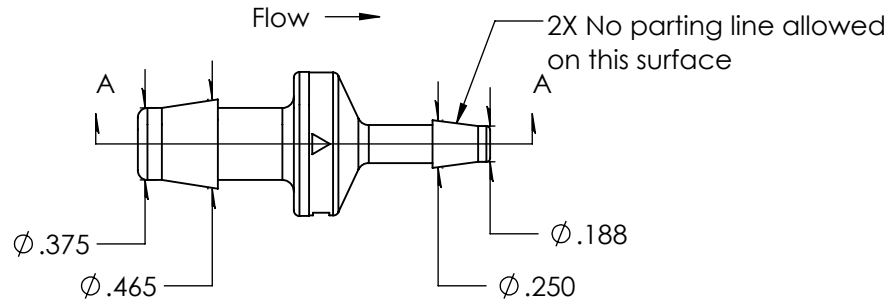


### Revision History

| Rev. | Description      | Date       | Approved |
|------|------------------|------------|----------|
| A    | Redrawn W/Change | 02/15/2010 | KAH      |
| B    | ECOR #A0566      | 02/15/2010 | KAH      |
| C    | ECO              | 08/03/2023 | JWM      |



SECTION A-A



Unless otherwise specified tolerances are in inches

#### SAE Tolerances

|                  |          |
|------------------|----------|
| Fractions:       | +/- .015 |
| 2 Place Decimal: | +/- .010 |
| 3 Place Decimal: | +/- .005 |
| Angle:           | +/- 1/2* |

#### Material:

Natural Polypropylene  
P4C5Z-027

# ARKPLAS

Part #: HCX50-PP0

Description:  
3/8" x 3/16" Premium Grade Reducing  
Check Valve Viton Diaphragm

|                  |             |               |                 |
|------------------|-------------|---------------|-----------------|
| Size<br><b>A</b> | Job#: HCX50 | Sheet 1 of 1  | Rev<br><b>C</b> |
|                  | Scale: 1:1  | Drawn By: JWM |                 |