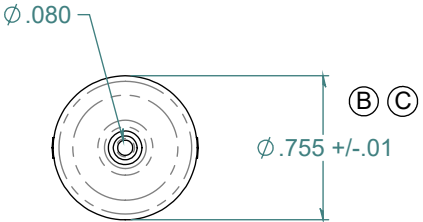
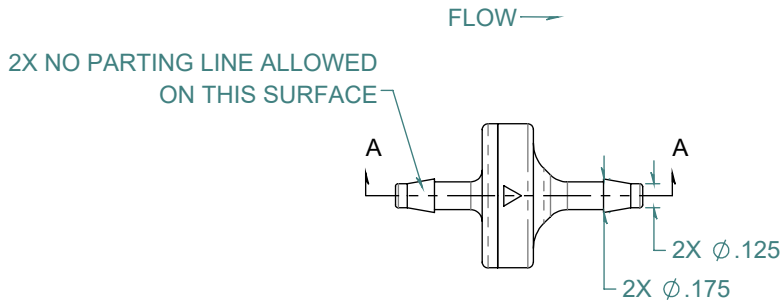
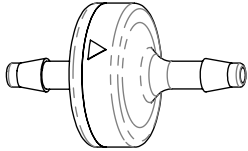
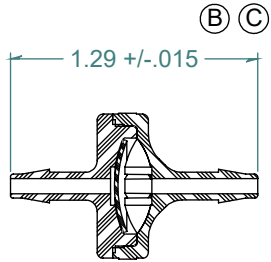


REVISION HISTORY			
REV.	DESCRIPTION	DATE	APPROVED
A	PRINT RELEASE DATE	02/16/2010	KAH
B	ECOR #A0570	02/16/2010	KAH
C	ECOR #A0638	11/30/2010	KAH
D	ECO #A1212	05/19/2020	KAH

SECTION A-A
SCALE 1 : 1



DIMENSIONS ARE IN INCHES UNLESS SPECIFIED. TOLERANCES ARE:
 FRACTIONS +/- .015
 2 PLACE DECIMAL +/- .010
 3 PLACE DECIMAL +/- .005
 ANGLE +/- 1/2°

ARK-PLAS PRODUCTS, INC.

HAX73-NY0
 1/8 x 1/8 STANDARD CHECK VALVE
 NEOPRENE DIAPHRAGM

MATERIAL:
 NYLON, NATURAL

FINISH:
 RMS 109.2 / POLISHED BARBS

FREE SAMPLES ARE AVAILABLE FOR TESTING. CONTACT CUSTOMER SERVICE

PROPRIETARY AND CONFIDENTIAL

THE INFORMATION CONTAINED IN THIS DRAWING IS THE SOLE PROPERTY OF ARK-PLAS PRODUCTS, INC. ANY REPRODUCTION IN PART OR AS A WHOLE WITHOUT THE WRITTEN PERMISSION OF ARK-PLAS PRODUCTS, INC. IS PROHIBITED.

SIZE	JOB #	DRAWN BY:	REV. LEVEL
A	MP137A AP893	KAH	D
	SCALE: 1:1 DO NOT SCALE DRAWING	SHEET 1 OF 1	