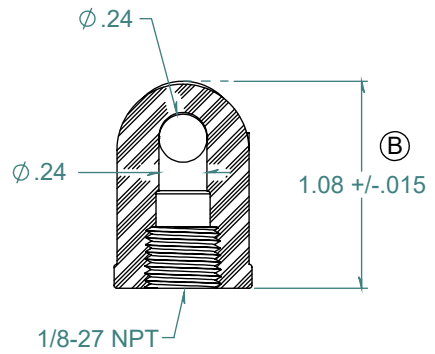
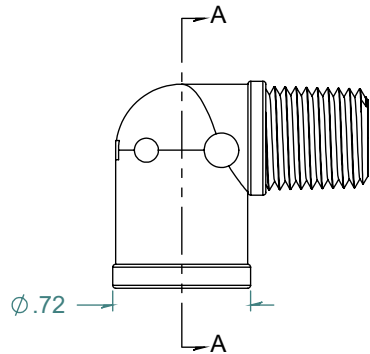
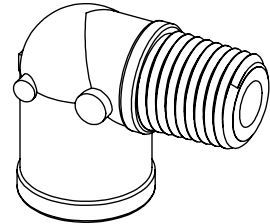
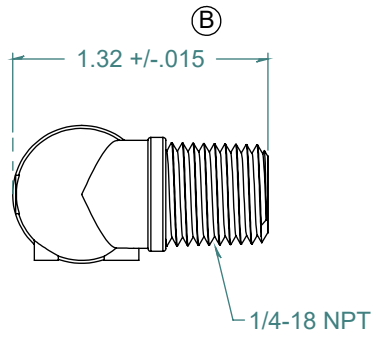


REVISION HISTORY			
REV.	DESCRIPTION	DATE	APPROVED
A	REDRAWN w/ CHANGE	11/09/2009	KAH
B	ECOR #A0517	11/09/2009	KAH



SECTION A-A
SCALE 1 : 1

DIMENSIONS ARE IN INCHES UNLESS SPECIFIED. TOLERANCES ARE:
 FRACTIONS +/- .015
 2 PLACE DECIMAL +/- .010
 3 PLACE DECIMAL +/- .005
 ANGLES NOTED

ARK-PLAS PRODUCTS, INC.

GCX89-NR0
 1/4-18 NPT x 1/8-27 FNPT
 ENLARGING ELBOW PIPE FITTING

FREE SAMPLES ARE AVAILABLE FOR TESTING. CONTACT CUSTOMER SERVICE

MATERIAL:
 NYLON, NATURAL

FINISH:
 RMS 109.2

SIZE A	JOB # MP112	DRAWN BY: <i>KAH</i>	REV. LEVEL
	SCALE: 1:1 DO NOT SCALE DRAWING	SHEET 1 OF 1	B

PROPRIETARY AND CONFIDENTIAL
 THE INFORMATION CONTAINED IN THIS DRAWING IS THE SOLE PROPERTY OF ARK-PLAS PRODUCTS, INC. ANY REPRODUCTION IN PART OR AS A WHOLE WITHOUT THE WRITTEN PERMISSION OF ARK-PLAS PRODUCTS, INC. IS PROHIBITED.