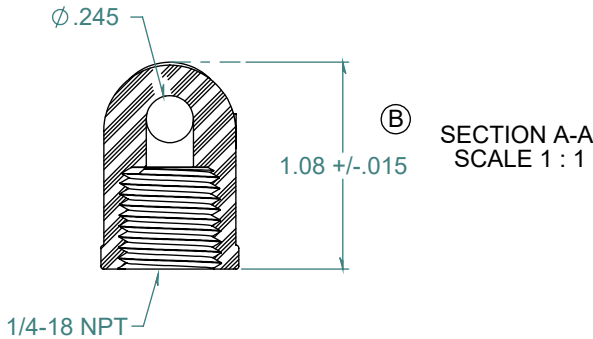
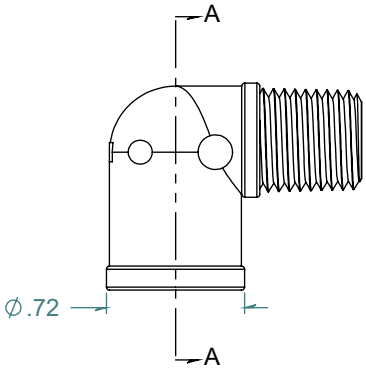
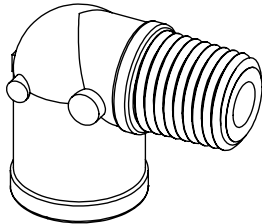
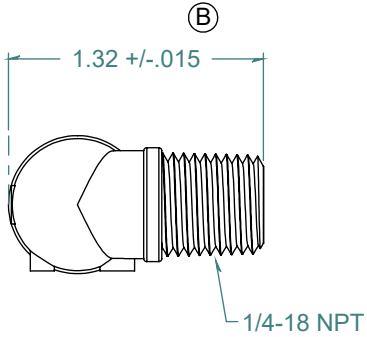


REVISION HISTORY			
REV.	DESCRIPTION	DATE	APPROVED
A	REDRAWN w/ CHANGE	11/09/2009	KAH
B	ECOR #A0518	11/09/2009	KAH



DIMENSIONS ARE IN INCHES UNLESS SPECIFIED. TOLERANCES ARE:
 FRACTIONS +/- .015
 2 PLACE DECIMAL +/- .010
 3 PLACE DECIMAL +/- .005
 ANGLES NOTED

ARK-PLAS PRODUCTS, INC.

GCX85-PR0
 1/4-18 NPT x 1/4-18 FNPT ELBOW PIPE FITTING

MATERIAL:
 POLYPROPYLENE, NATURAL

FINISH:
 RMS 109.2

SIZE A	JOB # MP116	DRAWN BY: <i>KAH</i>	REV. LEVEL B
	SCALE: 2:1 DO NOT SCALE DRAWING	SHEET 1 OF 1	

FREE SAMPLES ARE AVAILABLE FOR TESTING. CONTACT CUSTOMER SERVICE

PROPRIETARY AND CONFIDENTIAL

THE INFORMATION CONTAINED IN THIS DRAWING IS THE SOLE PROPERTY OF ARK-PLAS PRODUCTS, INC. ANY REPRODUCTION IN PART OR AS A WHOLE WITHOUT THE WRITTEN PERMISSION OF ARK-PLAS PRODUCTS, INC. IS PROHIBITED.