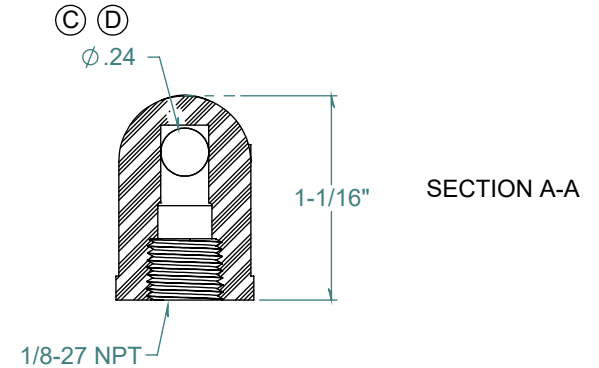
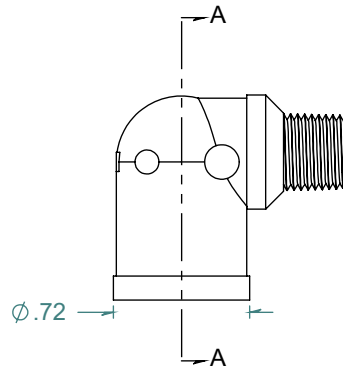
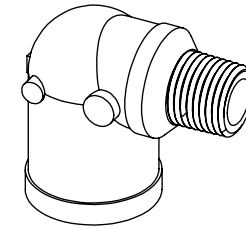
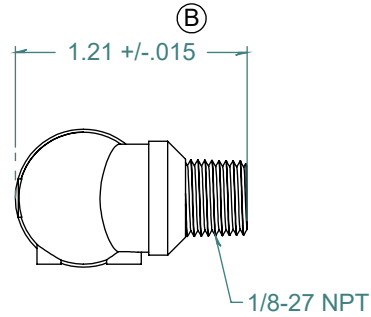


REVISION HISTORY			
REV.	DESCRIPTION	DATE	APPROVED
A	REDRAWN w/ CHANGE	11/05/2009	KAH
B	ECOR #A0516	11/05/2009	KAH
C	ECOR #A0948	05/04/2016	KAH
D	ECOR #A1018	04/24/2017	KAH



DIMENSIONS ARE IN INCHES UNLESS SPECIFIED. TOLERANCES ARE:  
 FRACTIONS +/- .015  
 2 PLACE DECIMAL +/- .010  
 3 PLACE DECIMAL +/- .005  
 ANGLES NOTED

**ARK-PLAS PRODUCTS, INC.**

GCX80-NR0  
 1/8-27 NPT x 1/8-27 FNPT ELBOW PIPE FITTING

FREE SAMPLES ARE AVAILABLE FOR TESTING. CONTACT CUSTOMER SERVICE

MATERIAL:  
 NYLON, NATURAL

FINISH:  
 RMS 109.2

SIZE <b>A</b>	JOB # MP110	DRAWN BY: <i>KAH</i>	REV. LEVEL <b>D</b>
SCALE: 1:1 DO NOT SCALE DRAWING		SHEET 1 OF 1	

**PROPRIETARY AND CONFIDENTIAL**  
 THE INFORMATION CONTAINED IN THIS DRAWING IS THE SOLE PROPERTY OF ARK-PLAS PRODUCTS, INC. ANY REPRODUCTION IN PART OR AS A WHOLE WITHOUT THE WRITTEN PERMISSION OF ARK-PLAS PRODUCTS, INC. IS PROHIBITED.