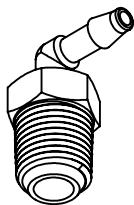
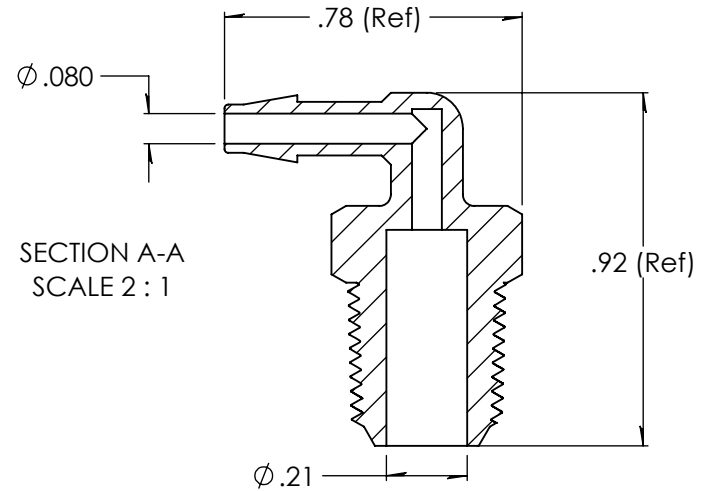
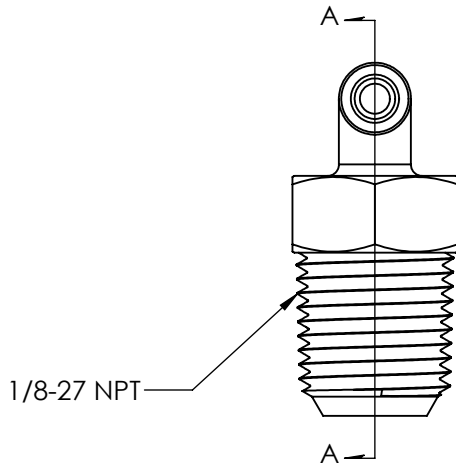
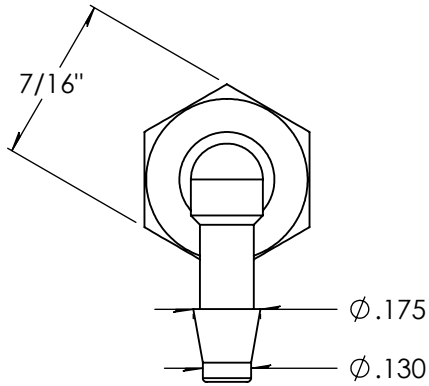


Revision History

Rev.	Description	Date	Approved
A	Redrawn w/o Change	09/17/2009	KAH
B	ECOR #A0955	05/16/2016	KAH
C	ECO	08/22/2023	JWM



Unless otherwise specified tolerances are in inches

SAE Tolerances

Fractions:	+/- .015
2 Place Decimal:	+/- .010
3 Place Decimal:	+/- .005
Angle:	+/- 1/2*

Material:

Natural Polypropylene
P4C5Z-027



Part #: CGC88-PR0

Description:

1/8" x 1/8-27 NPT Commercial grade threaded elbow connector

Size	Job#: CGC88	Sheet 1 of 1	Rev
A	Scale: 2:1	Drawn By: JWM	C