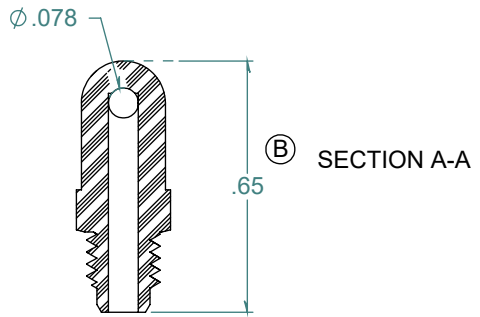
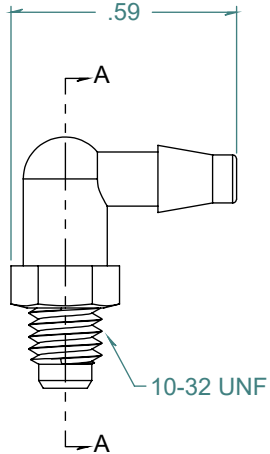
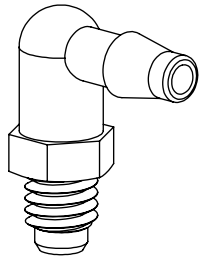
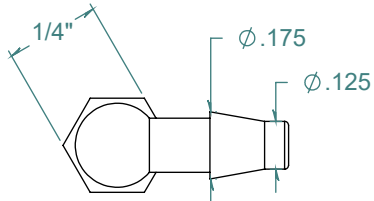


REVISION HISTORY			
REV.	DESCRIPTION	DATE	APPROVED
A	REDRAWN w/o CHANGE	09/17/2009	KAH
B	ECOR #A0458	09/28/2009	KAH



FREE SAMPLES ARE AVAILABLE FOR TESTING. CONTACT CUSTOMER SERVICE

DIMENSIONS ARE IN INCHES UNLESS SPECIFIED. TOLERANCES ARE:
 FRACTIONS +/- .015
 2 PLACE DECIMAL +/- .010
 3 PLACE DECIMAL +/- .005
 ANGLES NOTED

ARK-PLAS PRODUCTS, INC.

CGC52-PR0
 1/8 x 10-32 UNF COMMERCIAL GRADE
 THREADED ELBOW CONNECTOR

MATERIAL:
 POLYPROPYLENE, NATURAL

FINISH:
 RMS 109.2

SIZE A	JOB # MP311	DRAWN BY: <i>KAH</i>	REV. LEVEL B
SCALE: 2:1 DO NOT SCALE DRAWING		SHEET 1 OF 1	

PROPRIETARY AND CONFIDENTIAL
 THE INFORMATION CONTAINED IN THIS DRAWING IS THE SOLE PROPERTY OF ARK-PLAS PRODUCTS, INC. ANY REPRODUCTION IN PART OR AS A WHOLE WITHOUT THE WRITTEN PERMISSION OF ARK-PLAS PRODUCTS, INC. IS PROHIBITED.