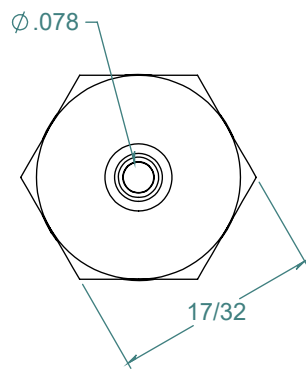
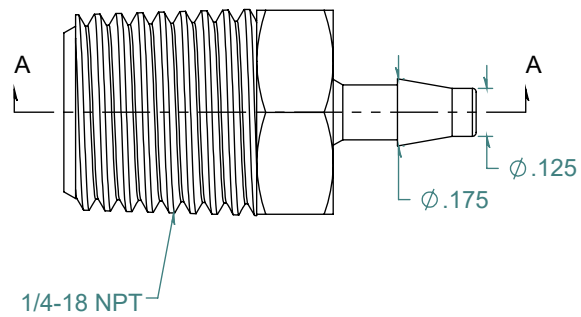
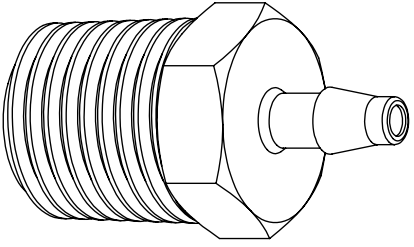
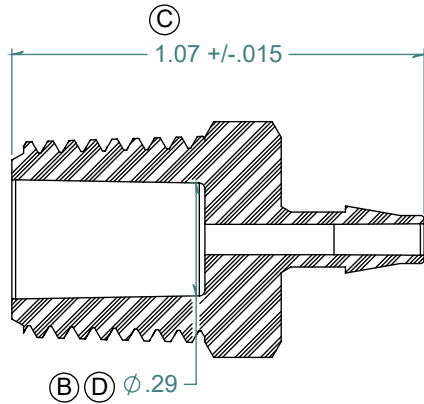


REVISION HISTORY			
REV.	DESCRIPTION	DATE	APPROVED
A	PRINT RELEASE DATE	09/14/2009	KAH
B	ECOR #A0955	06/16/2016	KAH
C	ECOR #A1065	11/13/2017	KAH
D	ECOR #1076	11/22/2017	KAH

SECTION A-A



DIMENSIONS ARE IN INCHES UNLESS SPECIFIED. TOLERANCES ARE:
 FRACTIONS +/- .015
 2 PLACE DECIMAL +/- .010
 3 PLACE DECIMAL +/- .005
 ANGLE NOTED

ARK-PLAS PRODUCTS, INC.

CGA76-PR0
 1/8 x 1/4-18 NPT COMMERCIAL GRADE
 THREADED STRAIGHT CONNECTOR

MATERIAL:
 POLYPROPYLENE, NATURAL

FINISH:
 RMS 109.2

FREE SAMPLES ARE AVAILABLE FOR TESTING. CONTACT CUSTOMER SERVICE

PROPRIETARY AND CONFIDENTIAL

THE INFORMATION CONTAINED IN THIS DRAWING IS THE SOLE PROPERTY OF ARK-PLAS PRODUCTS, INC. ANY REPRODUCTION IN PART OR AS A WHOLE WITHOUT THE WRITTEN PERMISSION OF ARK-PLAS PRODUCTS, INC. IS PROHIBITED.

SIZE A	JOB # AP756	DRAWN BY: <i>KAH</i>	REV. LEVEL D
	SCALE: 2:1 DO NOT SCALE DRAWING	SHEET 1 OF 1	