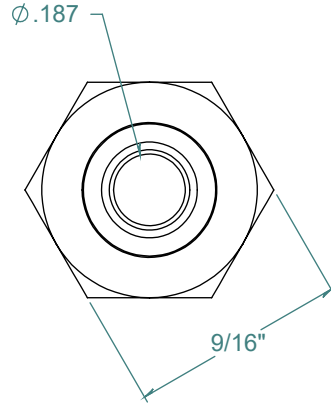
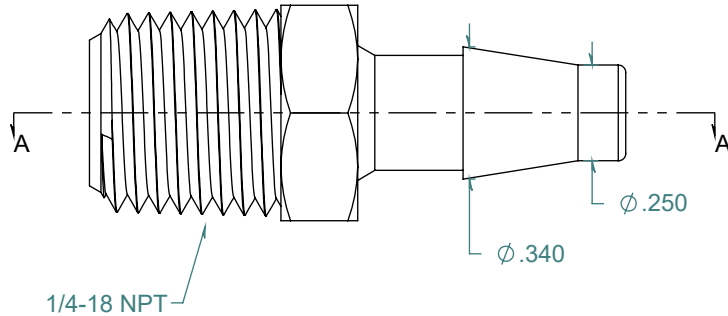
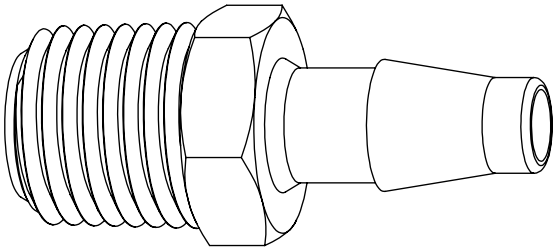
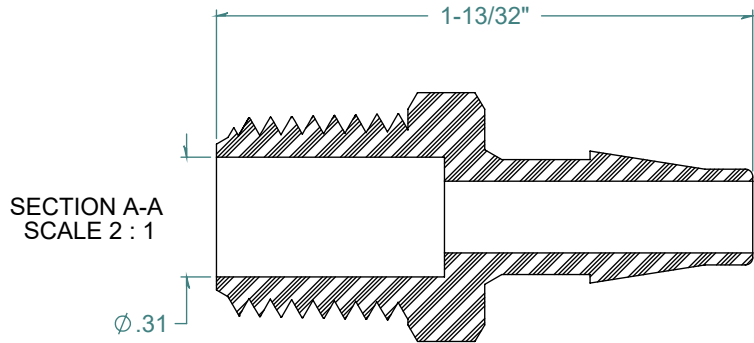


REVISION HISTORY			
REV.	DESCRIPTION	DATE	APPROVED
A	PRINT RELEASE DATE	05/28/2020	KAH



DIMENSIONS ARE IN INCHES UNLESS SPECIFIED. TOLERANCES ARE:  
 FRACTIONS +/- .015  
 2 PLACE DECIMAL +/- .010  
 3 PLACE DECIMAL +/- .005  
 ANGLES NOTED

**ARK-PLAS PRODUCTS, INC.**

CGA23-NY2  
 1/4 X 1/4-18 NPT COMMERCIAL GRADE  
 THREADED STRAIGHT CONNECTOR

MATERIAL:  
 NYLON, WHITE

FINISH:  
 RMS 109.2

FREE SAMPLES ARE AVAILABLE FOR TESTING. CONTACT CUSTOMER SERVICE

**PROPRIETARY AND CONFIDENTIAL**

THE INFORMATION CONTAINED IN THIS DRAWING IS THE SOLE PROPERTY OF ARK-PLAS PRODUCTS, INC. ANY REPRODUCTION IN PART OR AS A WHOLE WITHOUT THE WRITTEN PERMISSION OF ARK-PLAS PRODUCTS, INC. IS PROHIBITED.

SIZE <b>A</b>	JOB # MP308	DRAWN BY: <i>KAH</i>	REV. LEVEL
	SCALE: 2:1 DO NOT SCALE DRAWING	SHEET 1 OF 1	<b>A</b>