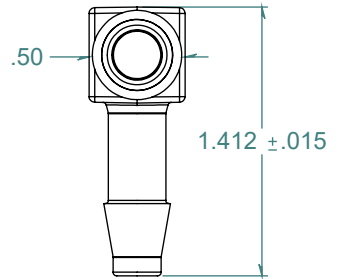
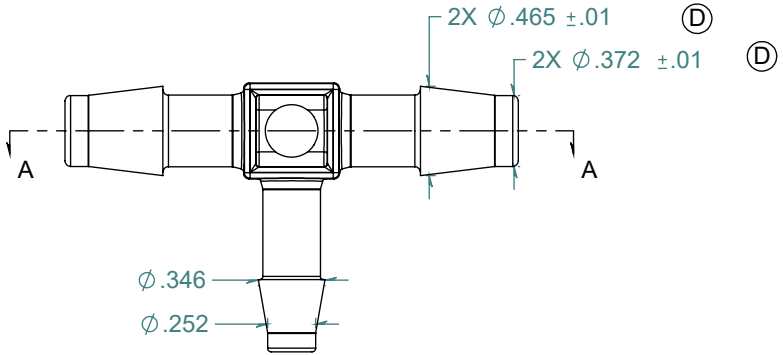
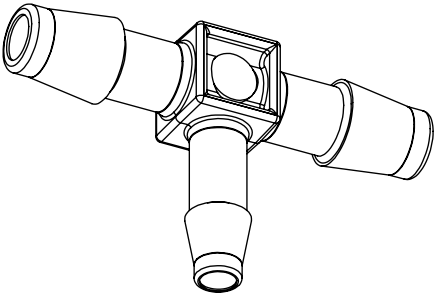
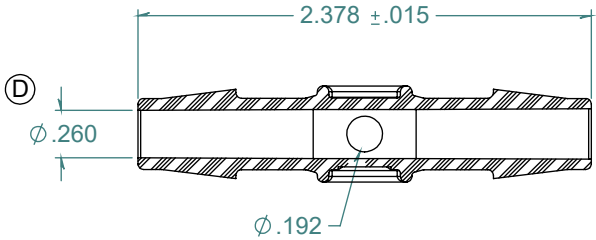


REVISION HISTORY			
REV.	DESCRIPTION	DATE	APPROVED
D	ECOR #A1071	12/01/2017	KAH
E	PRINT RELEASE DATE	6/26/2018	KAH
F	Dimensions Updated	3/10/2022	JWM

SECTION A-A



DIMENSIONS ARE IN INCHES UNLESS SPECIFIED. TOLERANCES ARE:  
 FRACTIONS +/- .015  
 2 PLACE DECIMAL +/- .010  
 3 PLACE DECIMAL +/- .005  
 ANGLE NOTED

**ARK-PLAS PRODUCTS, INC.**

CEC52-PR0  
 3/8 x 3/8 x 1/4 COMMERCIAL GRADE  
 BARBED REDUCING TEE

MATERIAL:  
 POLYPROPYLENE, NATURAL

FINISH:  
 RMS 109.2

SIZE <b>A</b>	JOB # CEC52	DRAWN BY: JWM	REV. LEVEL <b>F</b>
	SCALE: 1:1 DO NOT SCALE DRAWING	SHEET 1 OF 1	

FREE SAMPLES ARE AVAILABLE FOR TESTING. CONTACT CUSTOMER SERVICE

**PROPRIETARY AND CONFIDENTIAL**

THE INFORMATION CONTAINED IN THIS DRAWING IS THE SOLE PROPERTY OF ARK-PLAS PRODUCTS, INC. ANY REPRODUCTION IN PART OR AS A WHOLE WITHOUT THE WRITTEN PERMISSION OF ARK-PLAS PRODUCTS, INC. IS PROHIBITED.