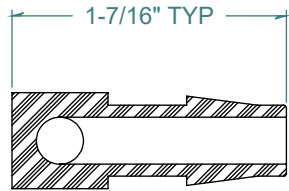
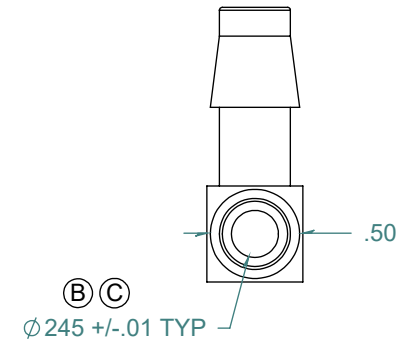
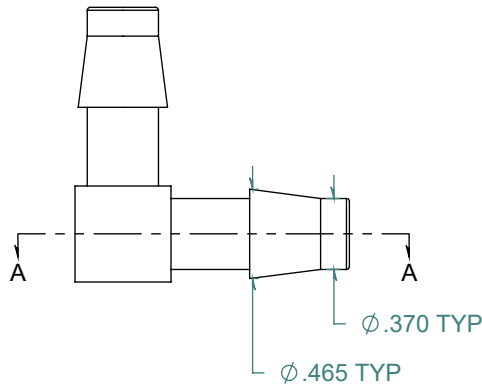
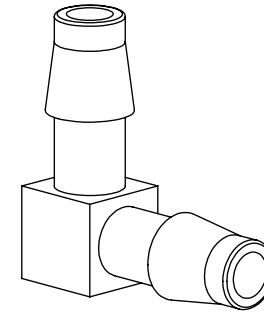


SECTION A-A



REVISION HISTORY			
REV.	DESCRIPTION	DATE	APPROVED
A	REDRAWN w/o CHANGE	11/02/2009	KAH
B	ECOR #A1022	05/10/2017	KAH
C	ECO #A1123	02/12/2018	KAH



DIMENSIONS ARE IN INCHES UNLESS SPECIFIED. TOLERANCES ARE:  
 FRACTIONS +/- .015  
 2 PLACE DECIMAL +/- .010  
 3 PLACE DECIMAL +/- .005  
 ANGLES NOTED

**ARK-PLAS PRODUCTS, INC.**

CDA65-PR0  
 3/8 x 3/8 COMMERCIAL GRADE  
 BARBED ELBOW CONNECTOR

FREE SAMPLES ARE AVAILABLE FOR TESTING. CONTACT CUSTOMER SERVICE

MATERIAL:  
 POLYPROPYLENE, NATURAL

FINISH:  
 RMS 109.2

SIZE <b>A</b>	JOB # MP291	DRAWN BY: <i>KAH</i>	REV. LEVEL <b>C</b>
	SCALE: 2:1 DO NOT SCALE DRAWING	SHEET 1 OF 1	

**PROPRIETARY AND CONFIDENTIAL**  
 THE INFORMATION CONTAINED IN THIS DRAWING IS THE SOLE PROPERTY OF ARK-PLAS PRODUCTS, INC. ANY REPRODUCTION IN PART OR AS A WHOLE WITHOUT THE WRITTEN PERMISSION OF ARK-PLAS PRODUCTS, INC. IS PROHIBITED.