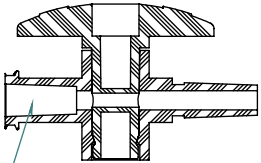
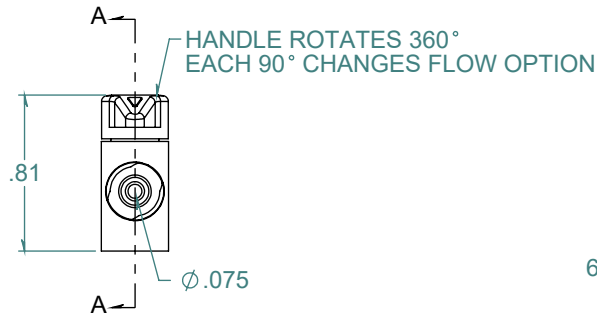
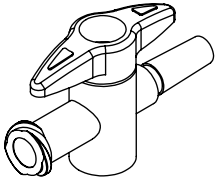
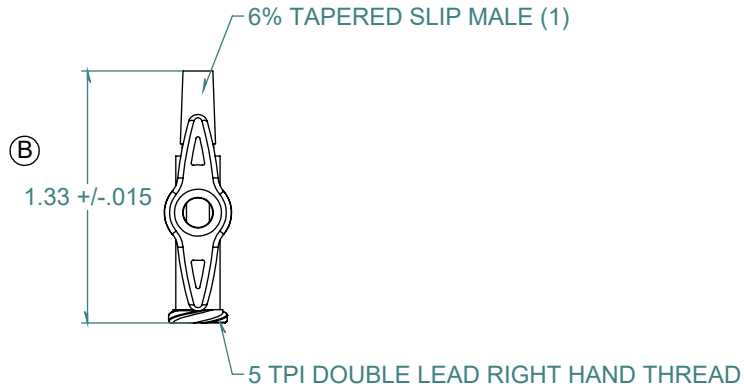


REVISION HISTORY			
REV.	DESCRIPTION	DATE	APPROVED
A	PRINT RELEASE DATE	12/03/2013	KAH
B	ECOR #A0925	01/21/2016	KAH



6% TAPERED FEMALE (1)

SECTION A-A

DIMENSIONS ARE IN INCHES UNLESS SPECIFIED. TOLERANCES ARE:	
FRACTIONS	+/- .015
2 PLACE DECIMAL	+/- .010
3 PLACE DECIMAL	+/- .005
ANGLE	NOTED

ARK-PLAS PRODUCTS, INC.

RAX21-GP0
SLIP MALE x FEMALE
1-WAY SMALL LUER STOPCOCK

MATERIAL: HD POLYETHYLENE - HANDLE
RAD. STABILIZED POLYCARBONATE - BODY

LUERS DESIGNED TO ISO STANDARDS

FINISH:
RMS 109.2 / POLISHED BARBS

SIZE	JOB # AP265	DRAWN BY: KAH	REV. LEVEL
A	SCALE: 1:1 DO NOT SCALE DRAWING	SHEET 1 OF 1	B

FREE SAMPLES ARE AVAILABLE FOR TESTING. CONTACT CUSTOMER SERVICE

PROPRIETARY AND CONFIDENTIAL

THE INFORMATION CONTAINED IN THIS DRAWING IS THE SOLE PROPERTY OF ARK-PLAS PRODUCTS, INC. ANY REPRODUCTION IN PART OR AS A WHOLE WITHOUT THE WRITTEN PERMISSION OF ARK-PLAS PRODUCTS, INC. IS PROHIBITED.