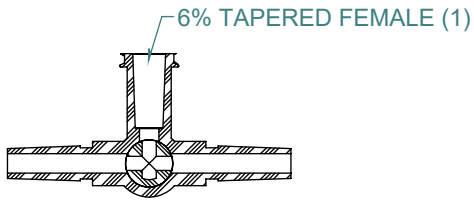
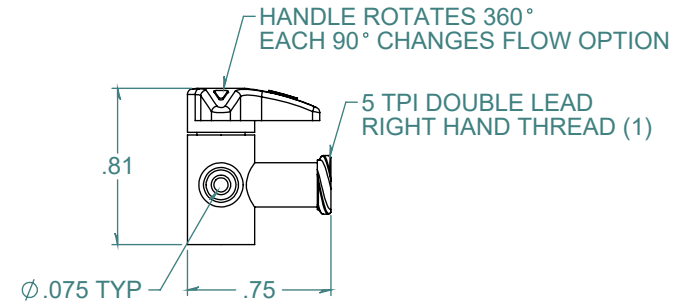
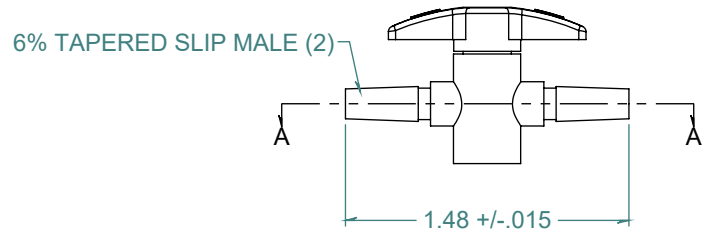
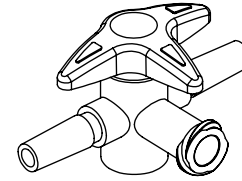


REVISION HISTORY			
REV.	DESCRIPTION	DATE	APPROVED
A	PRINT RELEASE DATE	12/05/2013	KAH



SECTION A-A
SCALE 1 : 1



DIMENSIONS ARE IN INCHES UNLESS SPECIFIED. TOLERANCES ARE:
 FRACTIONS +/- .015
 2 PLACE DECIMAL +/- .010
 3 PLACE DECIMAL +/- .005
 ANGLE NOTED

MATERIAL: HD POLYETHYLENE - HANDLE
 RAD. STABILIZED POLYCARBONATE - BODY

FINISH: 27 CHARMILLES
 POLISHED LUERS

ARK-PLAS PRODUCTS, INC.

RCX23-GP0
 SLIP MALE x FEMALE x SLIP MALE
 4-WAY SMALL LUER STOPCOCK

LUERS DESIGNED TO ISO STANDARDS

FREE SAMPLES ARE AVAILABLE FOR TESTING. CONTACT CUSTOMER SERVICE

PROPRIETARY AND CONFIDENTIAL

THE INFORMATION CONTAINED IN THIS DRAWING IS THE SOLE PROPERTY OF ARK-PLAS PRODUCTS, INC. ANY REPRODUCTION IN PART OR AS A WHOLE WITHOUT THE WRITTEN PERMISSION OF ARK-PLAS PRODUCTS, INC. IS PROHIBITED.

SIZE	JOB # AP447	DRAWN BY: KAH	REV. LEVEL
A	SCALE: 1:1 DO NOT SCALE DRAWING	SHEET 1 OF 1	A