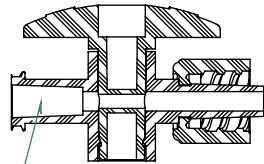
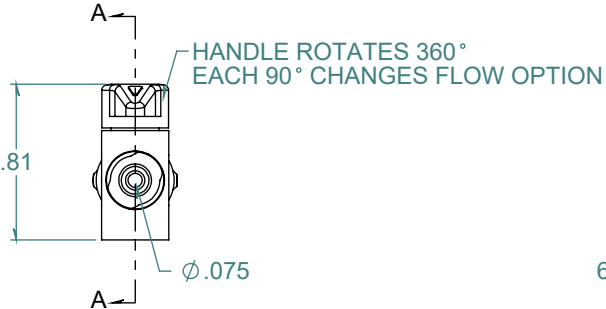
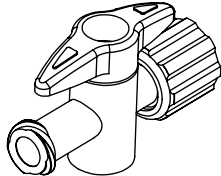
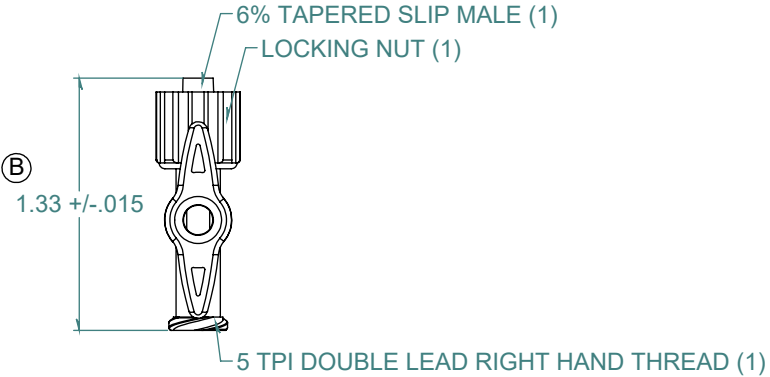


| REVISION HISTORY |                    |            |          |
|------------------|--------------------|------------|----------|
| REV.             | DESCRIPTION        | DATE       | APPROVED |
| A                | PRINT RELEASE DATE | 12/03/2013 | KAH      |
| B                | ECOR #A0925        | 01/21/2016 | KAH      |



6% TAPERED FEMALE (1)

SECTION A-A

|                                                            |          |
|------------------------------------------------------------|----------|
| DIMENSIONS ARE IN INCHES UNLESS SPECIFIED. TOLERANCES ARE: |          |
| FRACTIONS                                                  | +/- .015 |
| 2 PLACE DECIMAL                                            | +/- .010 |
| 3 PLACE DECIMAL                                            | +/- .005 |
| ANGLE                                                      | NOTED    |

**ARK-PLAS PRODUCTS, INC.**

RAX70-GP0  
 LOCKING MALE x FEMALE  
 1-WAY SMALL LUER STOPCOCK

MATERIAL: HD POLYETHYLENE - HANDLE  
 RAD. STABILIZED POLYCARBONATE - BODY

**LUERS DESIGNED TO ISO STANDARDS**

FINISH:  
 RMS 109.2 / POLISHED LUERS

|          |                                    |               |            |
|----------|------------------------------------|---------------|------------|
| SIZE     | JOB # AP265                        | DRAWN BY: KAH | REV. LEVEL |
| <b>A</b> | SCALE: 1:1<br>DO NOT SCALE DRAWING | SHEET 1 OF 1  | <b>B</b>   |

FREE SAMPLES ARE AVAILABLE FOR TESTING. CONTACT CUSTOMER SERVICE

**PROPRIETARY AND CONFIDENTIAL**

THE INFORMATION CONTAINED IN THIS DRAWING IS THE SOLE PROPERTY OF ARK-PLAS PRODUCTS, INC. ANY REPRODUCTION IN PART OR AS A WHOLE WITHOUT THE WRITTEN PERMISSION OF ARK-PLAS PRODUCTS, INC. IS PROHIBITED.